

UMWELTVERTRÄGLICHKEITSSTUDIE STUDIO DI IMPATTO AMBIENTALE

ERNEUERUNG UND ERWEITERUNG DER AUFSTIEGSANLAGE "PORZEN"
MIT UMBENENNUNG IN "GAMSSTEIG" UND OPTIMIERUNG DER
PISTENANBINDUNG IM SKIGEBIET ROTWAND

RINNOVO E AMPLIAMENTO DELL'IMPIANTO DI RISALITA "PORZEN"
CON CAMBIO NOME IN "GAMSSTEIG" E MIGLIORAMENTO DEL
COLLEGAMENTO DELLE PISTE NELL'AREA SCIISTICA CRODA ROSSA

INHALT / CONTENUTO

SESSELLIFT "GAMSSTEIG"

Seilbahntechnische Hauptelemente

Feb. 2023	CH.N.	AT
Datum data	bearb. elab.	gepr. esam.
Anlage	Allegato	

B-4.0

AUFTRAGGEBER / COMMITTENTE

3 ZINNEN AG
Schattenweg 2F
I-39038 Innichen - Vierschach

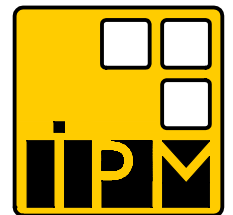


PROJEKTANT UND KOORDINATOR / PROGETTISTA E COORDINATORE

iPM

Ingenieurbüro - Studio di ingegneria
Dr. Ing. Markus Pescollderungg
Dr. Ing. Udo Mall

I-39031 Bruneck/Brunico, Gilmplatz/piazza Gilm 2
t. 0474/050005 f. 0474/050006 info@ipm.bz



ARBEITSGRUPPE / GRUPPO DI LAVORO

PLANUNGSBÜRO

Dr. Matthias Platzer
I-39100 Bozen - Andreas Hofer Str. 9
Tel. 0474/050072 www.alpinexpert.it



BAUKANZLEI

Sulzenbacher & Partner
I-39031 Bruneck - Goethestraße 13d
Tel. 0474/410949 www.sulzenbacher-ing.it



UMWELT GIS

Dr. Stefan Gasser
I-39042 Brixen - Köstlanstraße 119/A
Tel. 0472/971052 www.umwelt-gis.it



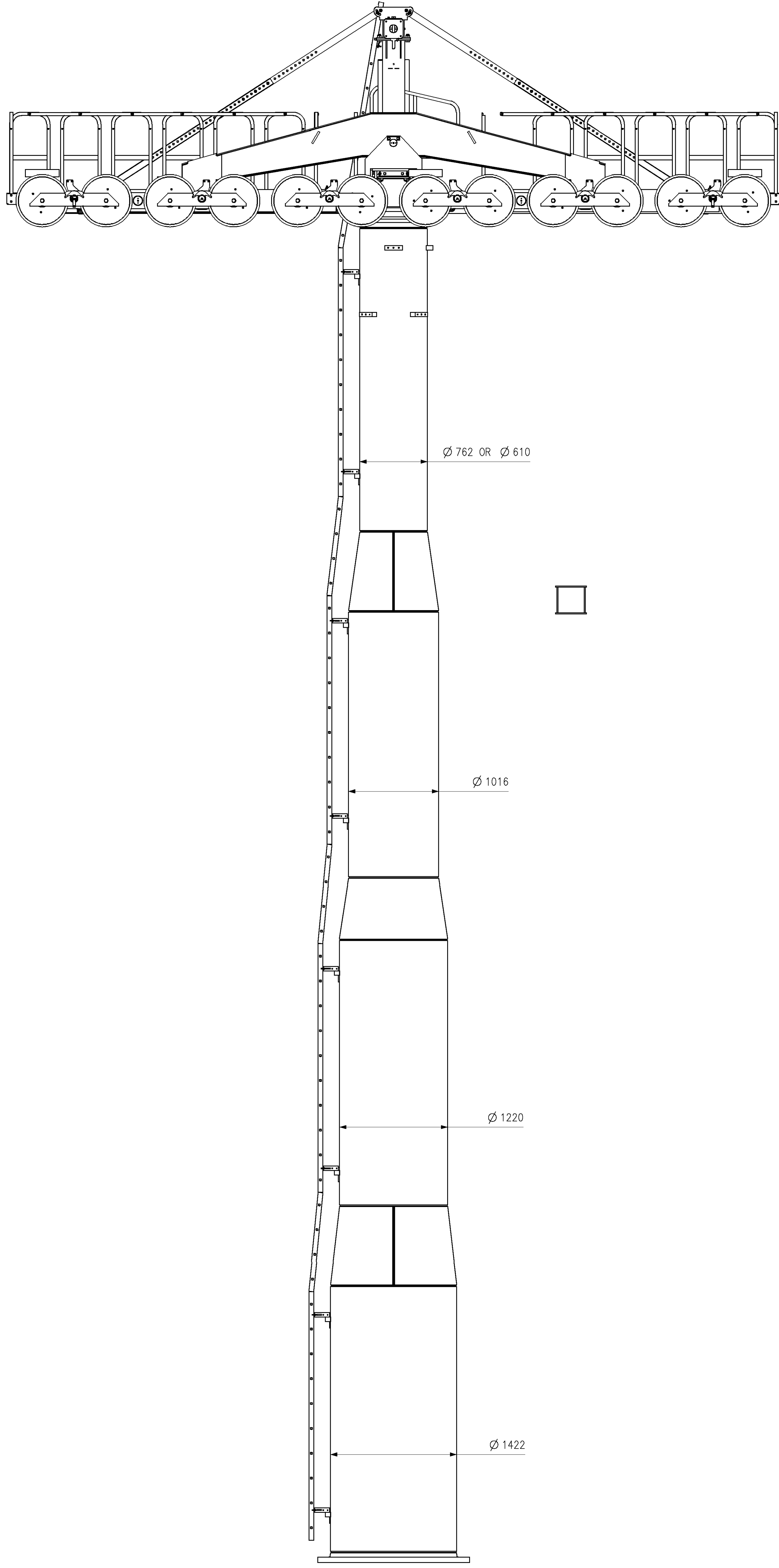
PLANSTUDIO

Geom. Alex Trojer & Dr. Ing. Mark Winkler
I-39030 St. Lorenzen - Bruneckerstr. 14/A
Tel. 0474/476262 www.planstudio.net



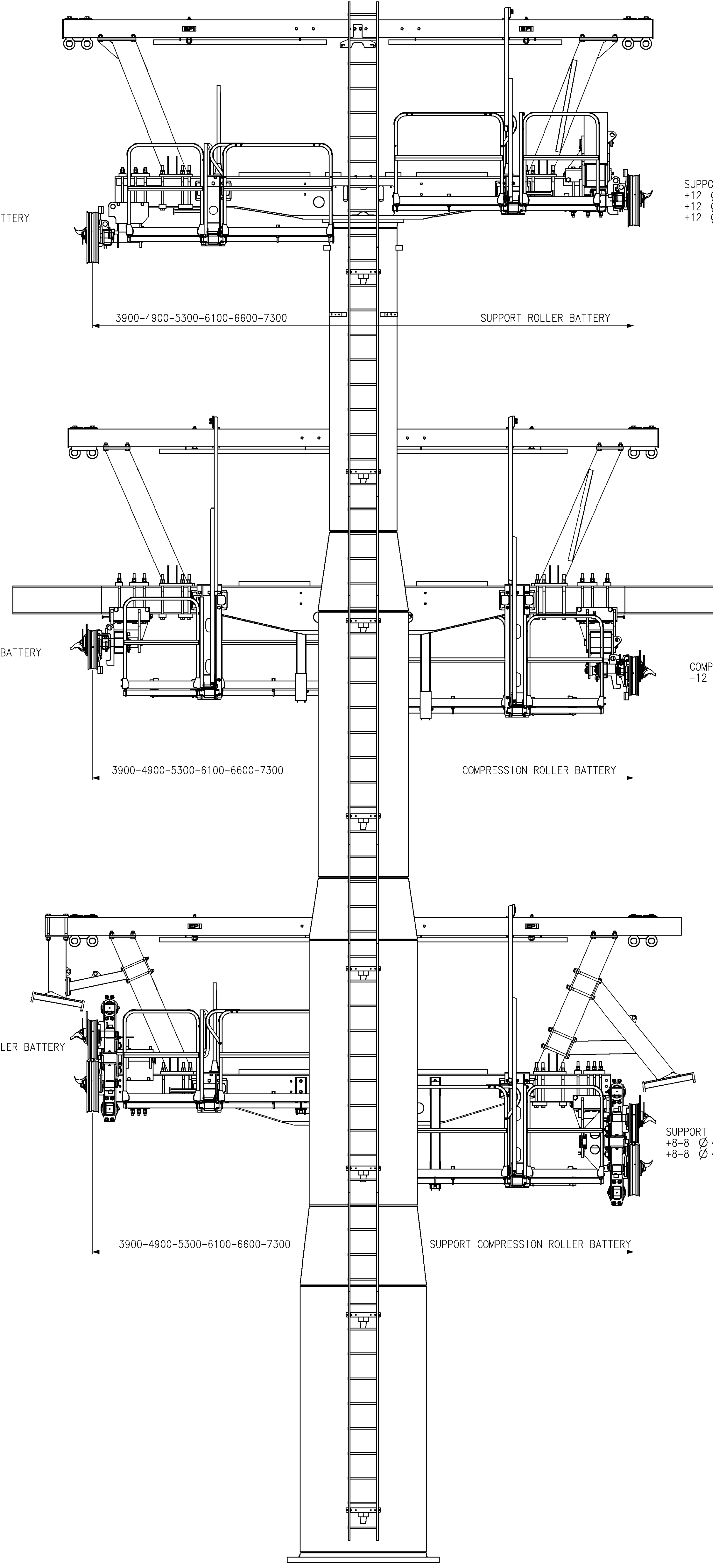
Diese Zeichnung darf ohne unsere Genehmigung weder vervielfältigt noch Dritten zugänglich gemacht werden.
È vietata la riproduzione nonché la trasmissione a terzi di questo documento senza la nostra autorizzazione.

UPHILL ← → DOWNHILL



SUPPORT ROLLER BATTERY
+4 Ø 420
+4 Ø 460
+4 Ø 550

UPHILL VIEW



SUPPORT ROLLER BATTERY
+12 Ø 420
+12 Ø 460
+12 Ø 550

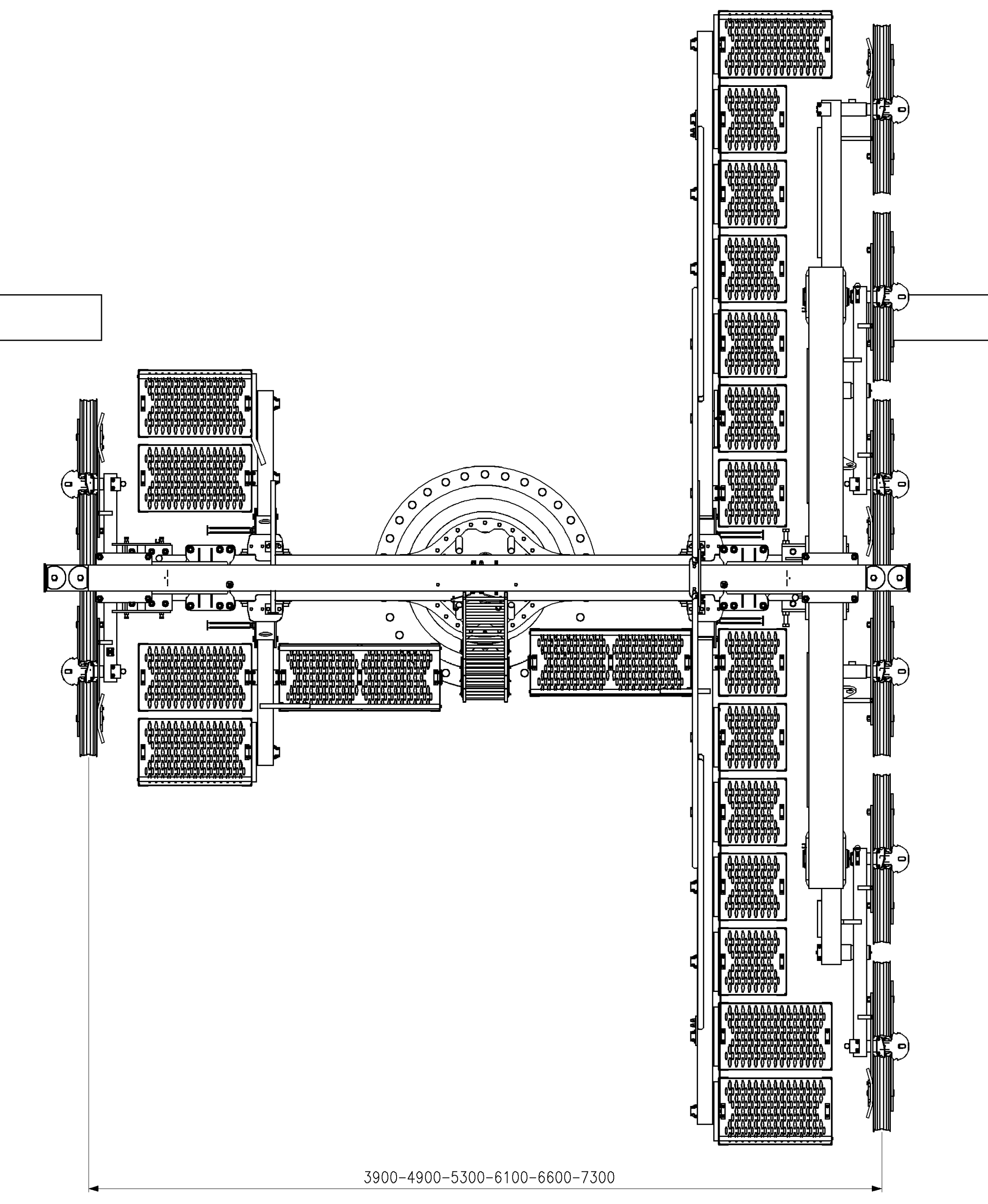
COMPRESSION ROLLER BATTERY
-8 Ø 420

COMPRESSION ROLLER BATTERY
-12 Ø 420

SUPPORT COMPRESSION ROLLER BATTERY
+4-4 Ø 420/Ø 420
+4-4 Ø 420/Ø 460
+4-4 Ø 420/Ø 550

SUPPORT COMPRESSION ROLLER BATTERY
+8-8 Ø 420/Ø 460
+8-8 Ø 420/Ø 550

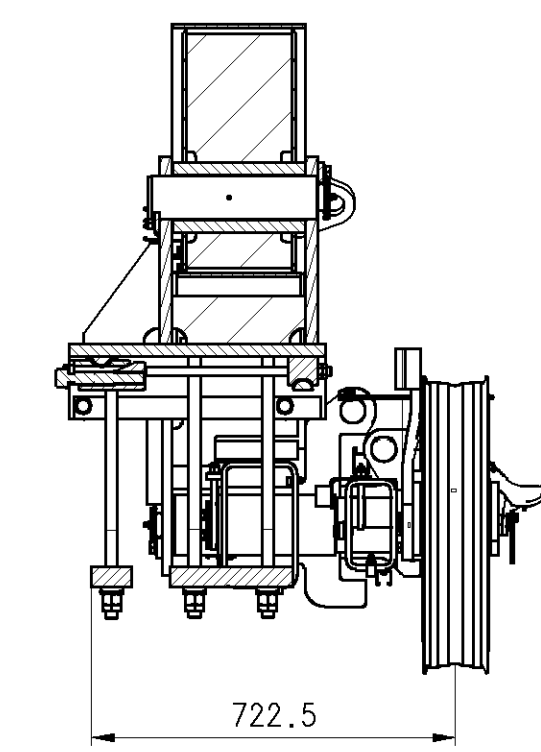
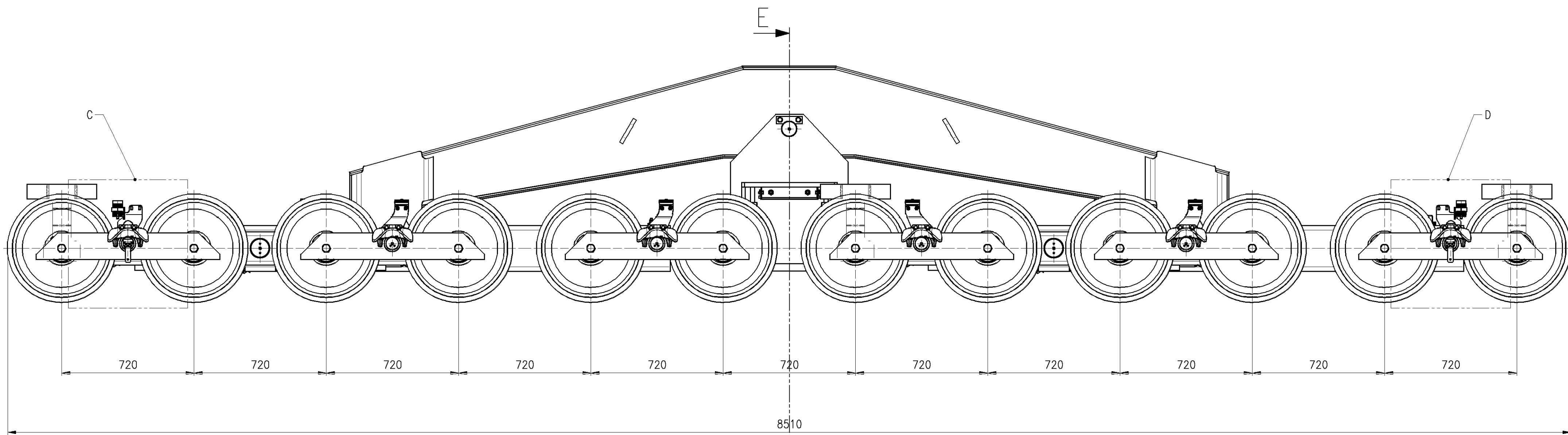
WORK PLATFORMS



3900-4900-5300-6100-6600-7300

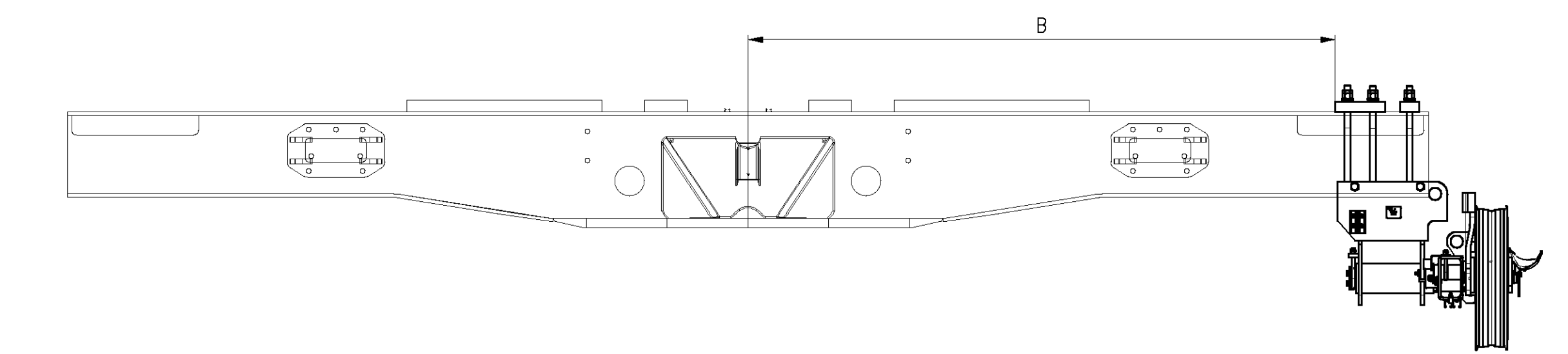
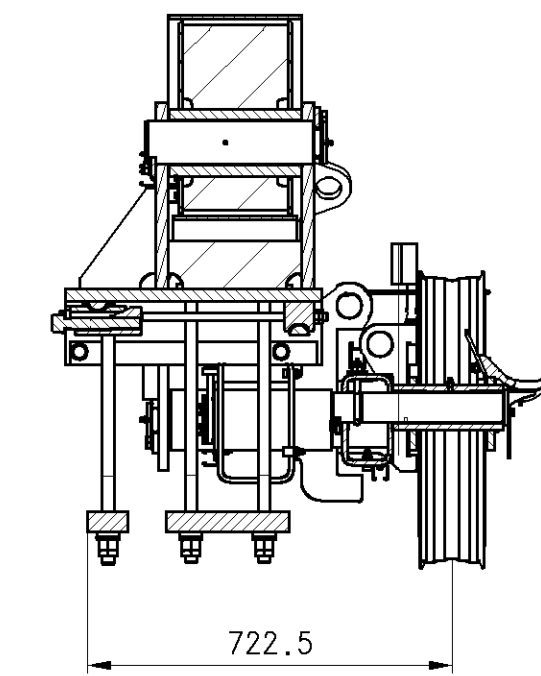
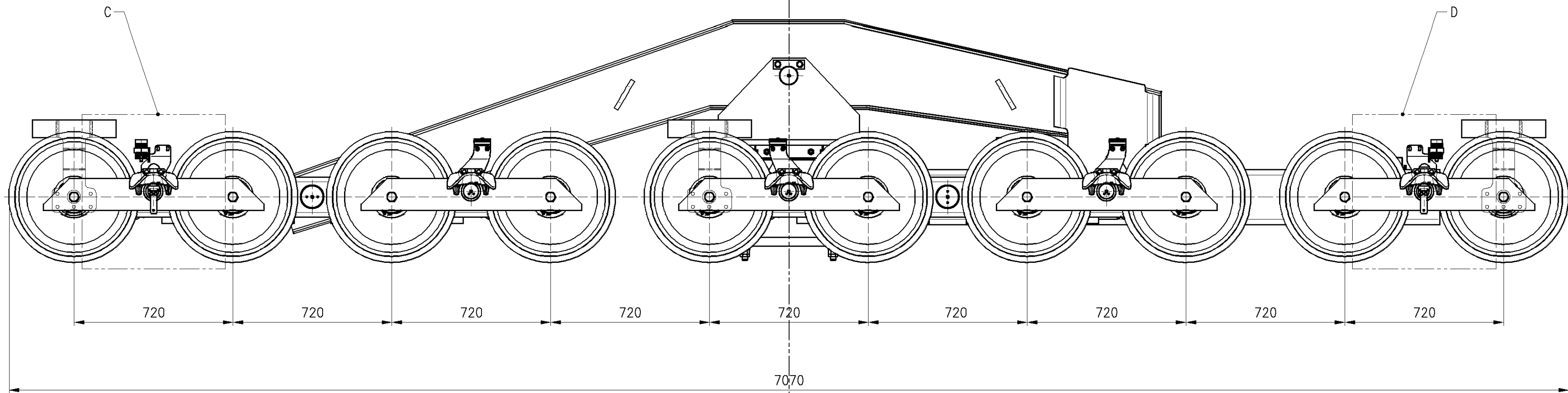
03	ADD LINE GAUGE 3000 AND ROLLER BATTERY Ø 420	17/11/08	BENGIN	TRIGLER
02	ADD LINE GAUGE 6600	25/02/08	BENGIN	TRIGLER
01	UPDATE DRAWING	23/07/07	BENGIN	TRIGLER
REV				
PROJ.				
SCALE	1:25			
DATE	00-Jan-0			
DESIGNED BY	BENGIN			
CHECKED BY	TRIGLER			
APPROVED BY				
PROJECT	LINE TOWER DRAWING CE2000/9/EG			
DRAWING	DISEGNO SOSTEGNO DI LINEA CE2000/9/EG			
SCALE	1:25			
UNIT	- Kg			
LEITNER	TECHNOLOGY			
ITEM NUMBER	96000034			

Balancier 12S D550
+12 sheave train

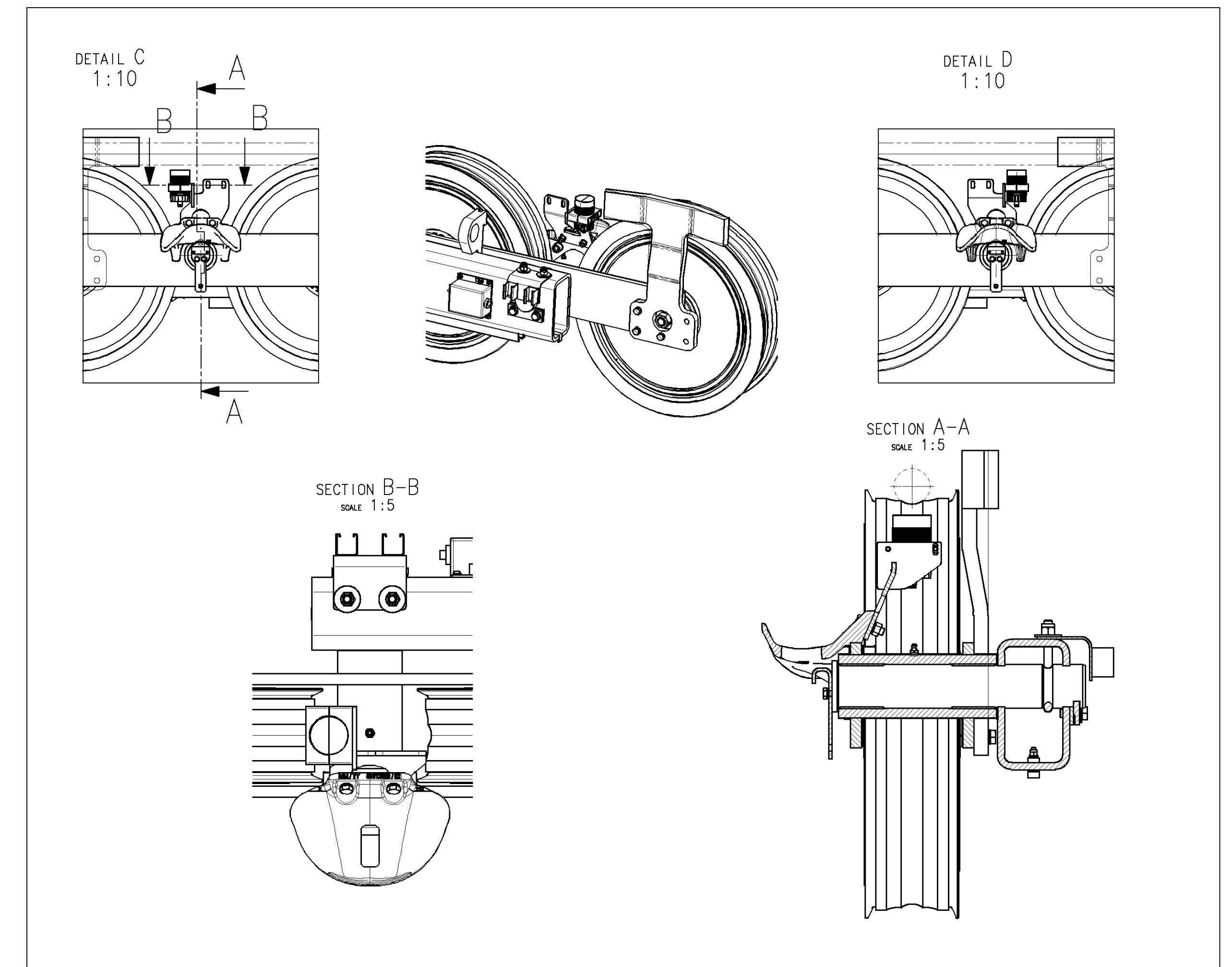
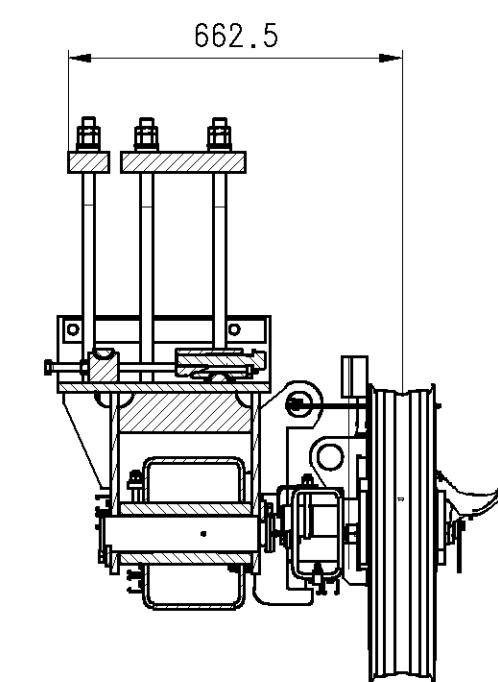
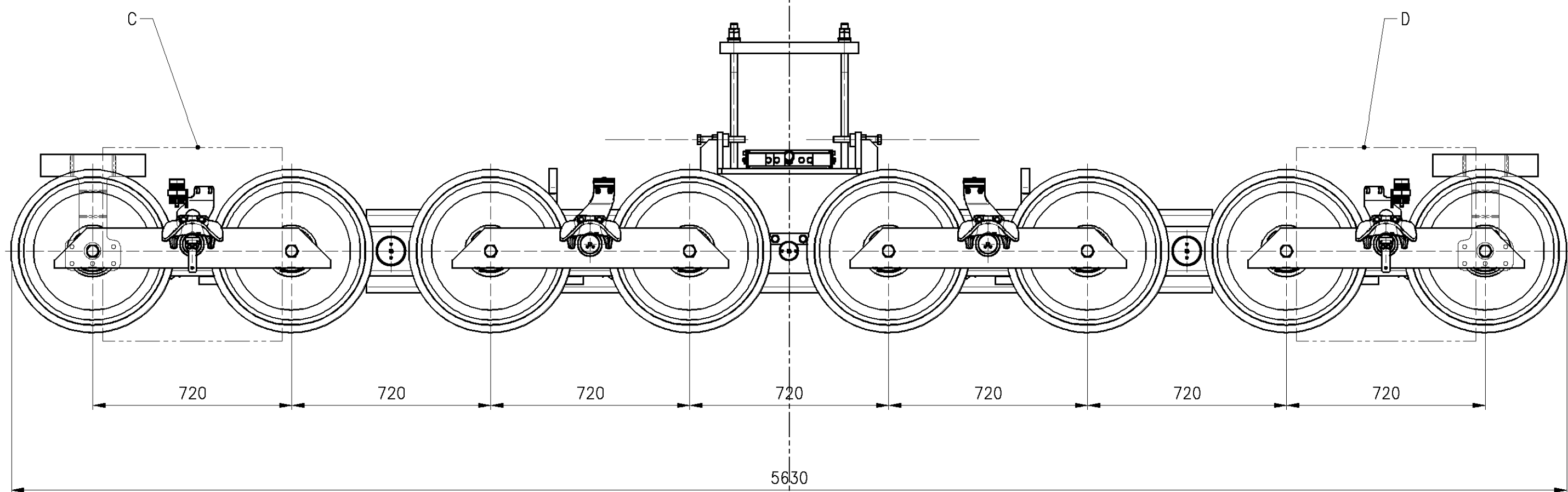


B	+4 5500	+6 5500	+8 5500	+10 5500	+12 5500
CODE A V4800	14900/21-641,5-1806,5	14900/21-682,5-1787,5	14900/21-682,5-1787,5	14900/21-722,5-1727,5	14900/21-722,5-1727,5
CODE A V5300	15300/21-641,5-2006,5	15300/21-682,5-1987,5	15300/21-682,5-1987,5	15300/21-722,5-1927,5	15300/21-722,5-1927,5
CODE A V6100	16100/21-641,5-2406,5	16100/21-682,5-2387,5	16100/21-682,5-2387,5	16100/21-722,5-2327,5	16100/21-722,5-2327,5
CODE A V6600	16600/21-641,5-2686,5	16600/21-682,5-2637,5	16600/21-682,5-2637,5	16600/21-722,5-2577,5	16600/21-722,5-2577,5
CODE A V7300	17300/21-642,5-3007,5	17300/21-682,5-2987,5	17300/21-682,5-2987,5	17300/21-722,5-2927,5	17300/21-722,5-2927,5

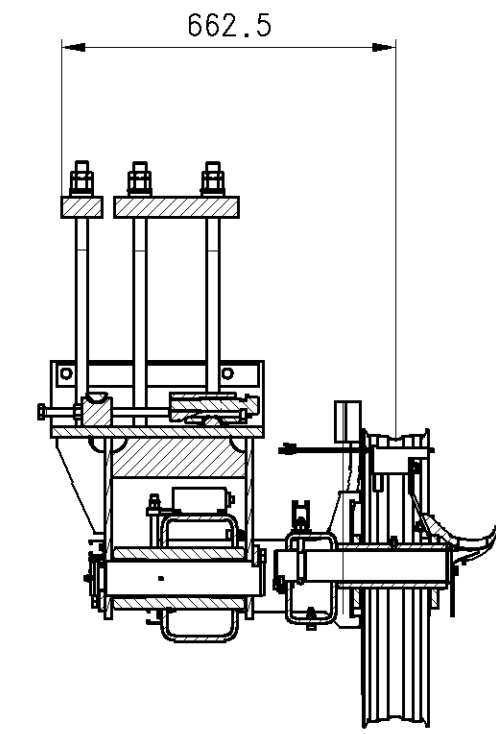
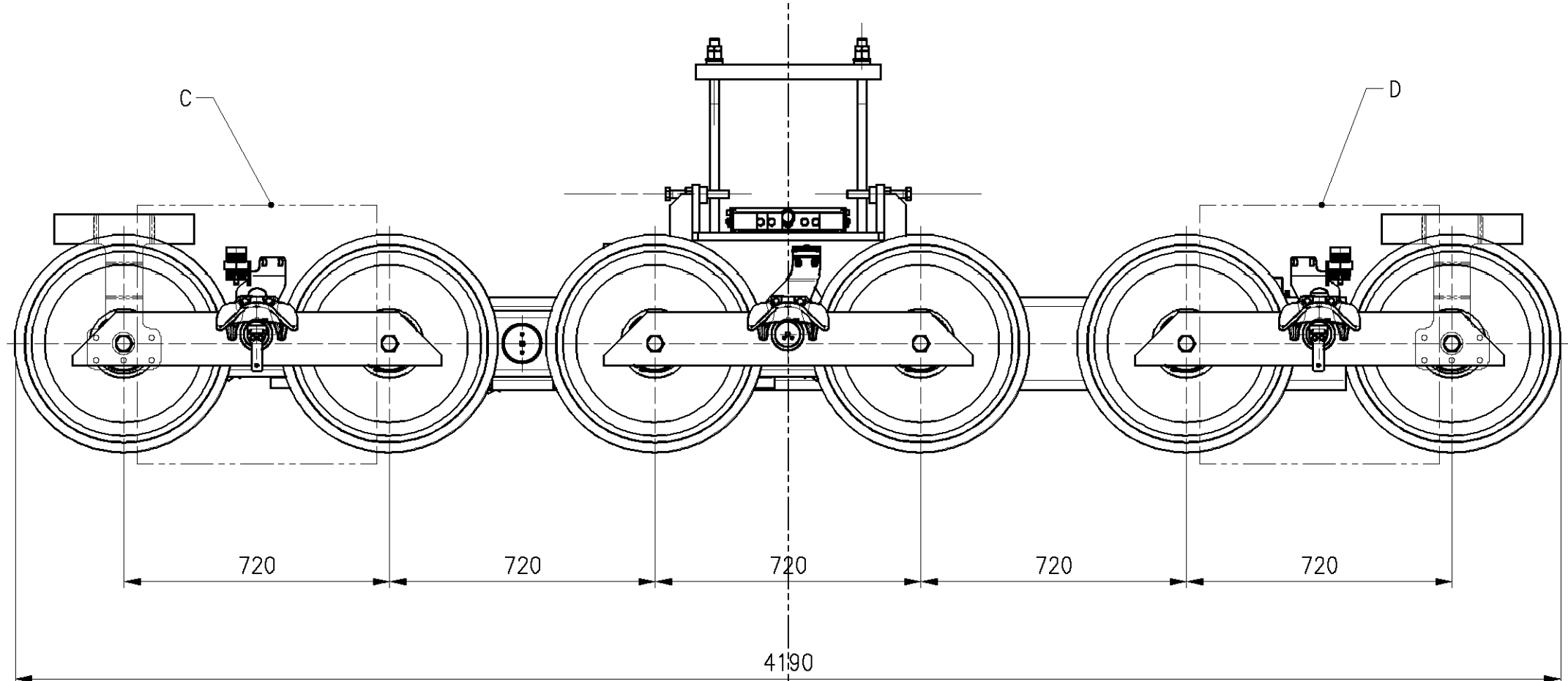
Balancier 10S D550
+10 sheave train



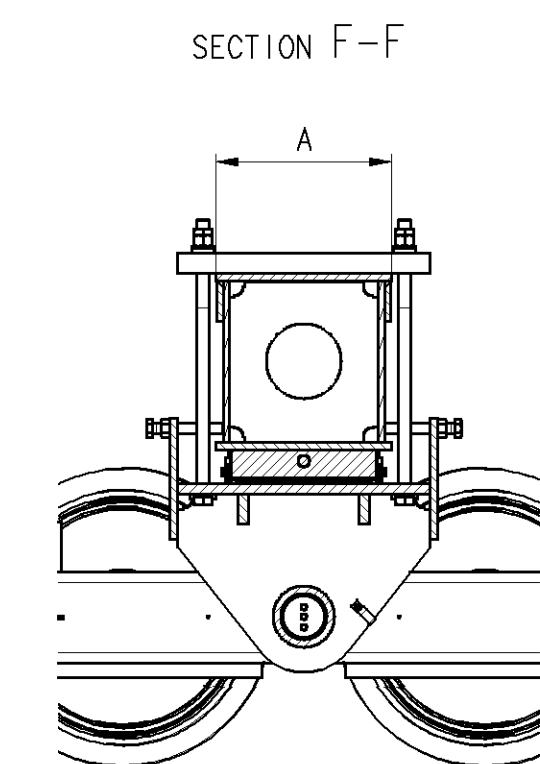
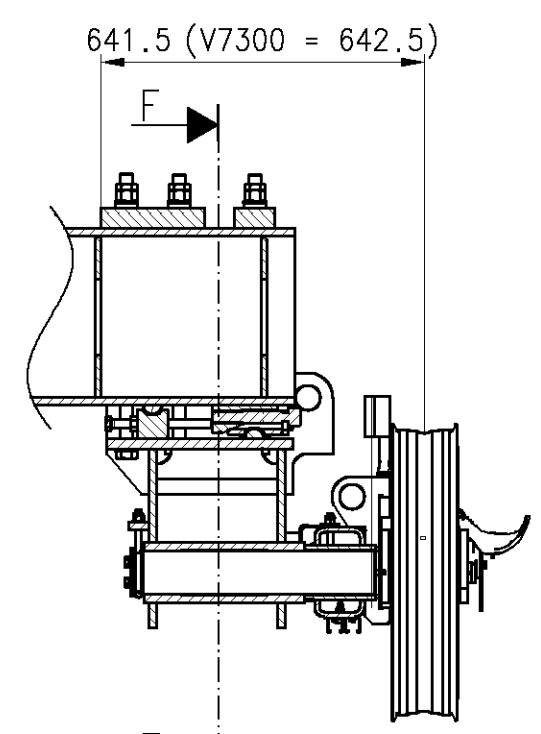
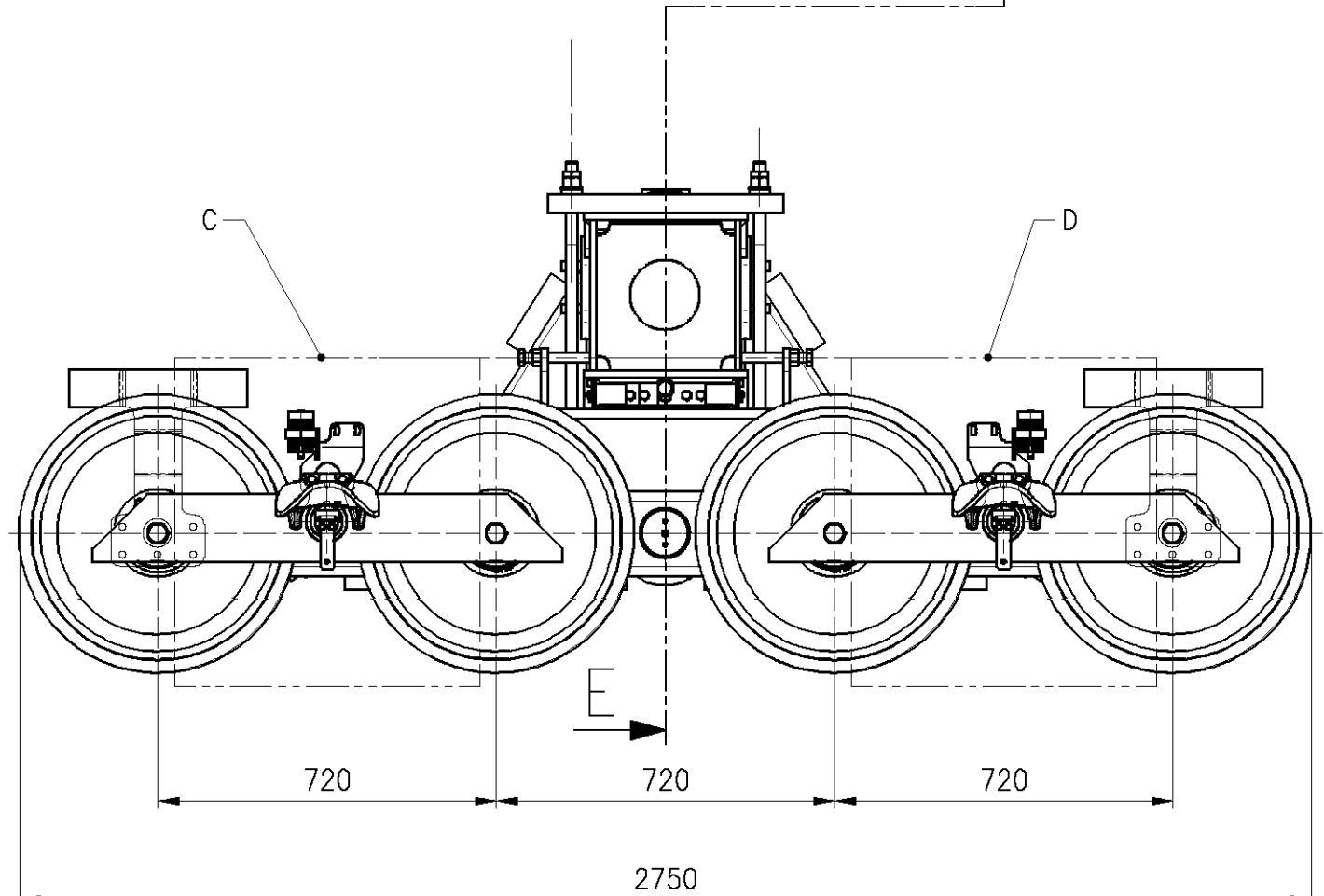
Balancier 8S D550
+8 sheave train



Balancier 6S D550
+6 sheave train



Balancier 4S D550
+4 sheave train



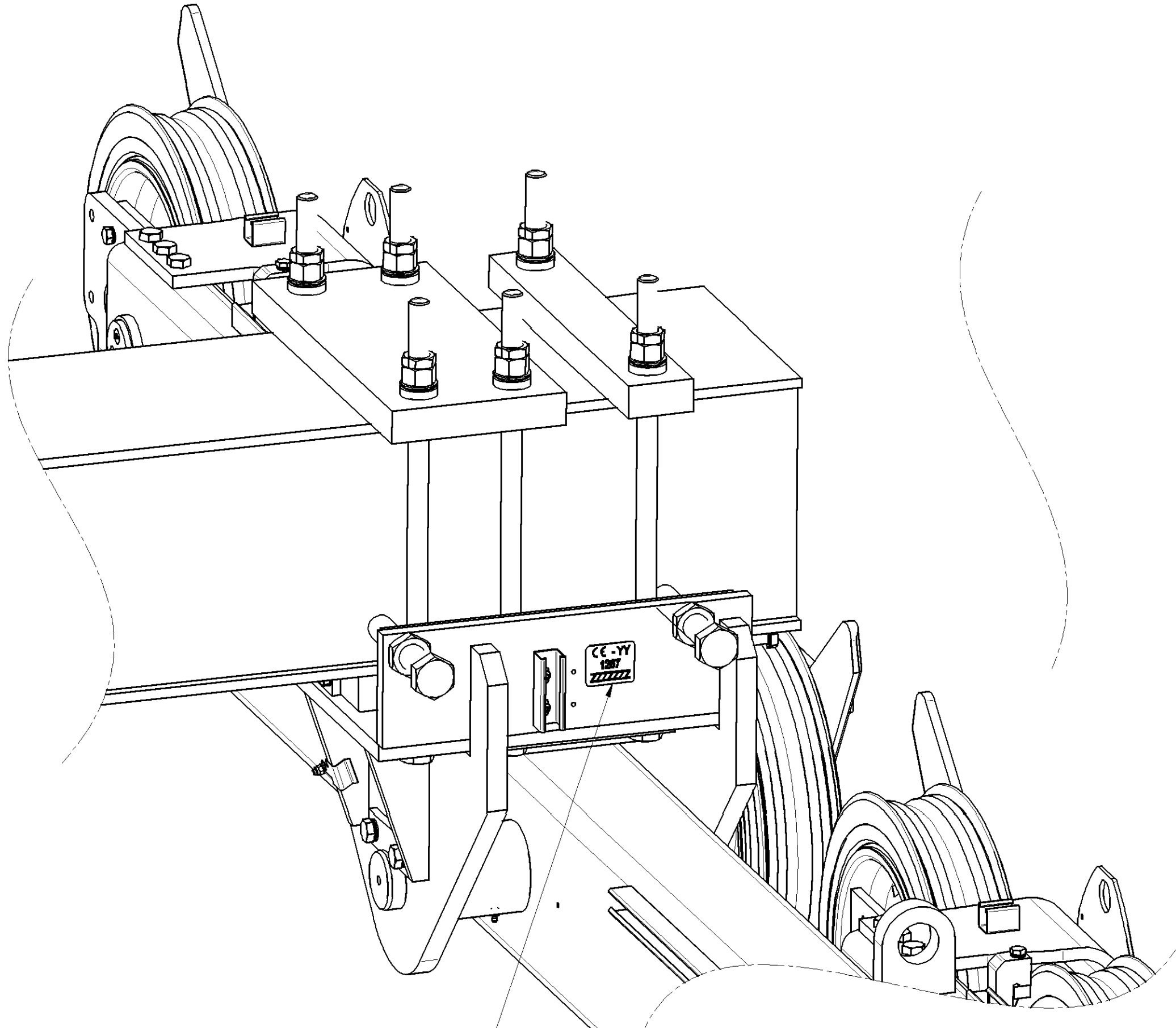
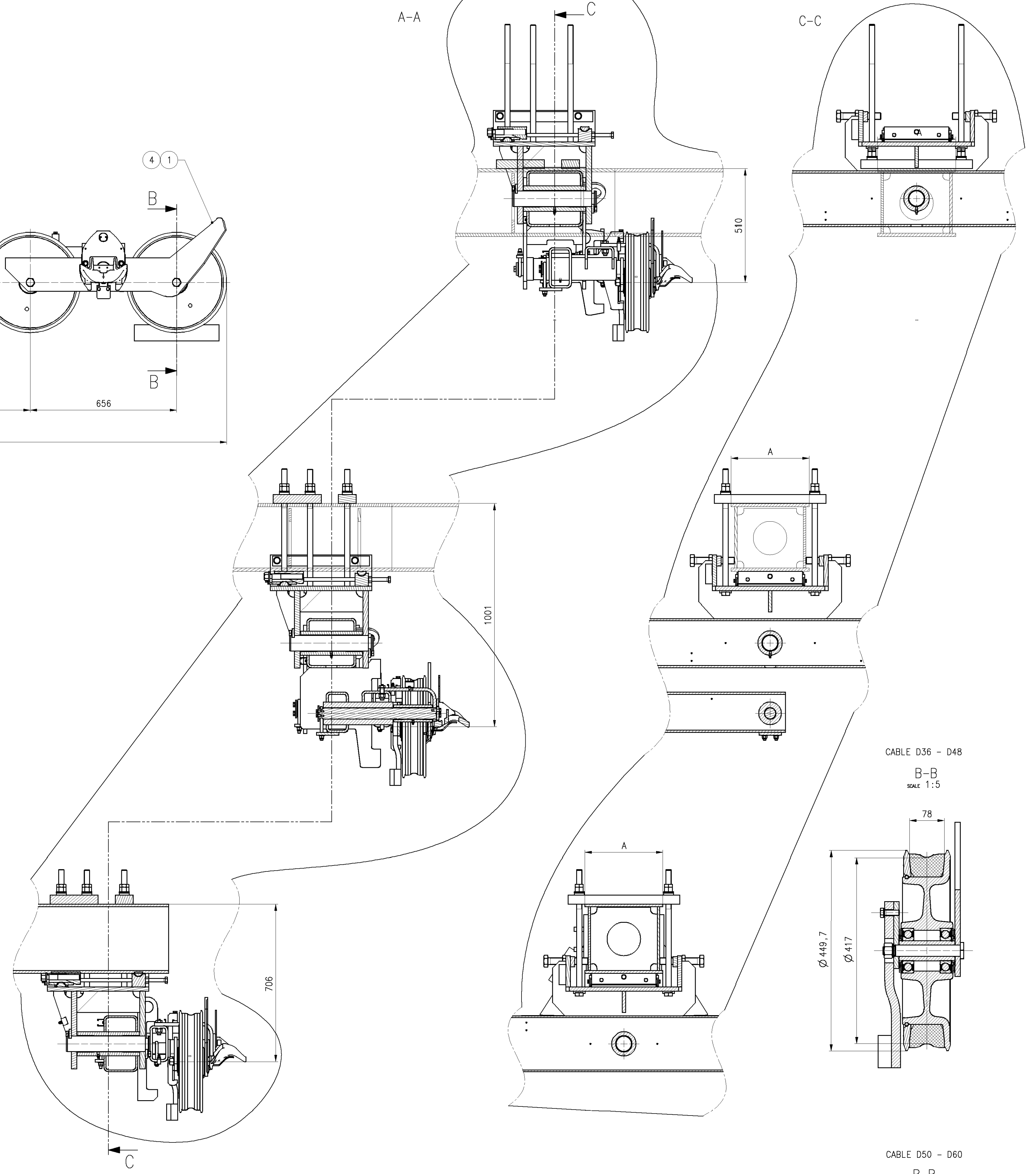
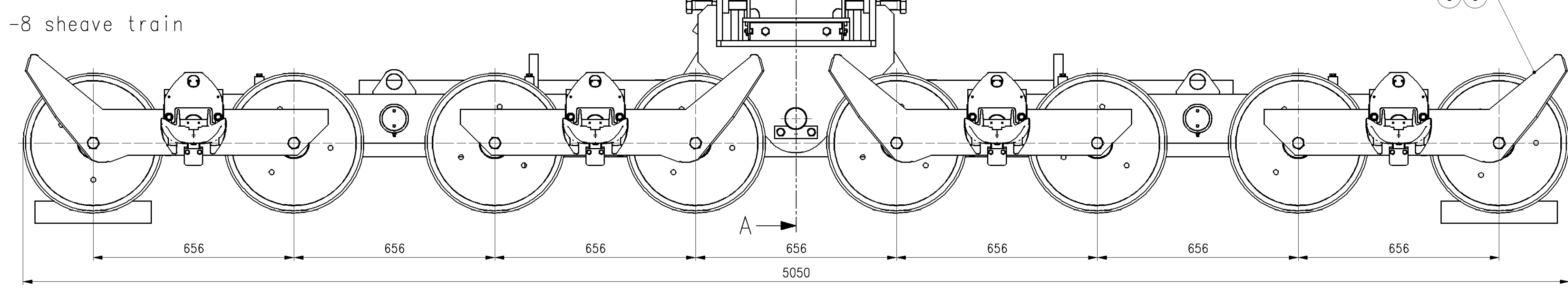
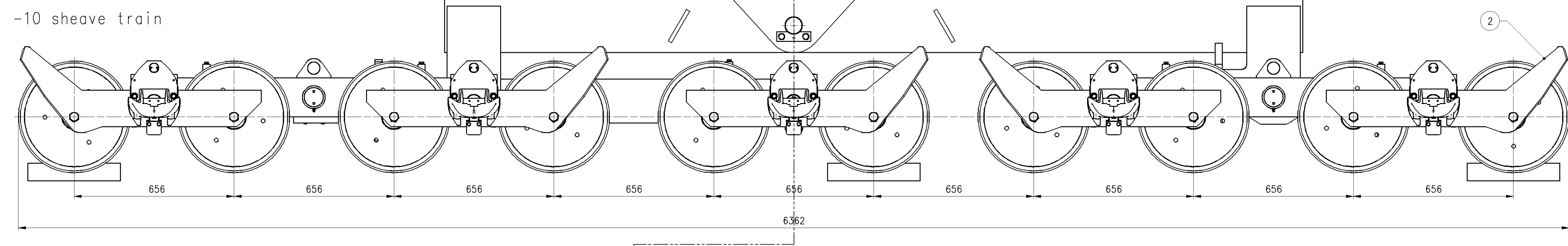
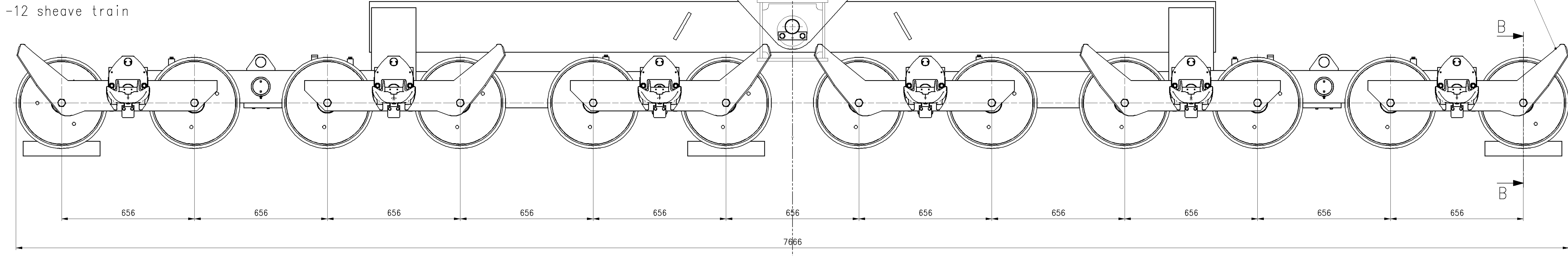
POS	DESCRIPTION	TYPE DE BALANCIER / ROLLER BATTERY TYPE	Pince LPA / Grip LPA Rattapeur/cable catcher : 51012550 A=350		Pince LPA / Grip LPA Rattapeur/cable catcher : 51012550 A=450	
			golets standard / standard sheave	golets anti givre / anti icing sheave	golets standard / standard sheave	golets anti givre / anti icing sheave
5	BALANCIER ET CAVALIER / ROLLER BATTERY AND SADDLE	+4 5500	50007610-01 41225738-01	50007610-02 41225738-02	50008649-01 41229590-01	50008649-02 41229590-02
4	BALANCIER ET CAVALIER / ROLLER BATTERY AND SADDLE	+6 5500	50007611-01 41225689-01	50007611-02 41225689-02	50008651-01 41229595-01	50008651-02 41229595-02
3	BALANCIER ET CAVALIER / ROLLER BATTERY AND SADDLE	+8 5500	50007612-01 41225656-01	50007612-02 41225656-02	50008653-01 41229605-01	50008653-02 41229605-02
2	BALANCIER ET CAVALIER / ROLLER BATTERY AND SADDLE	+10 5500	50007613-01 41225679-01	50007613-02 41225679-02	50008654-01 41229630-01	50008654-02 41229630-02
1	BALANCIER ET CAVALIER / ROLLER BATTERY AND SADDLE	+12 5500	50007614-01 41225663-01	50007614-02 41225663-02	50008656-01 41229635-01	50008656-02 41229635-02

SPEC: 03 AGGIORNATA DISTINTA 14-Sep-2016 ALLA TOYOTA (MST IN Yout
 02 MODIFICATA MISURA 23-Jan-2018 AUBERTEL BU/MST IN Yout
 01 AGGIORNATA DISTINTA 13-Mar-2018 MATTEOLI MSL/LEFORT MSL
 REV: MODIF LDR

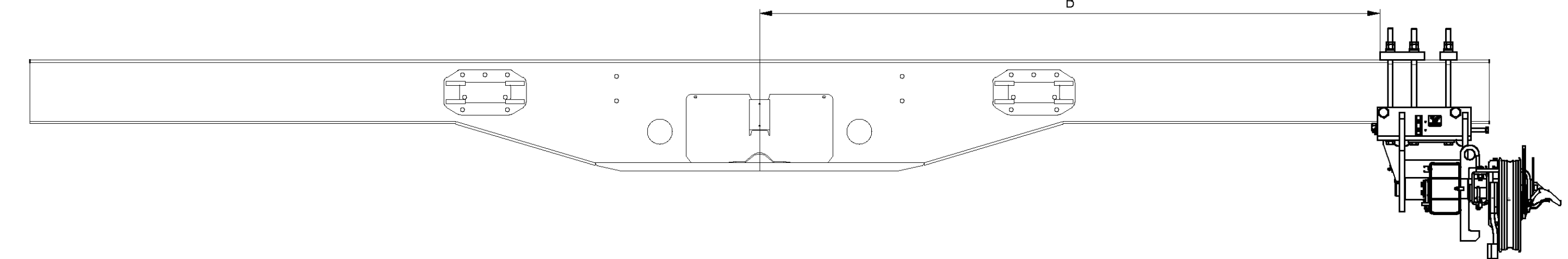
MODEL: SUPPORT ROLLER BATTERY-EU 2016/424
 RULLIERA DI APPOGGIO-UE 2016/424

MODEL: 9600
 SUPPORT ROLLER BATTERY
 1:20 13704 Kg

LEITNER ropeways
 96000528



B	-8 4200	-10 4200	-12 4200
COTE A V4900	14900/21-831,5-1818,5	14900/21-831,5-1818,5	14900/21-831,5-1818,5
COTE A V5300	15300/21-831,5-2018,5	15300/21-831,5-2018,5	15300/21-831,5-2018,5
COTE A V6100	16100/21-831,5-2418,5	16100/21-831,5-2418,5	16100/21-831,5-2418,5
COTE A V6600	16600/21-831,5-2668,5	16600/21-831,5-2668,5	16600/21-831,5-2668,5
COTE A V7300	17300/21-831,5-3018,5	17300/21-831,5-3018,5	17300/21-831,5-3018,5



BALANCIER AUTOLUB./ROLLER BATTERY AUTOLUB.					
POS	DESCRIPTION	A-350		Cable D36 - D48	
		TYPE DE BALANCIER / ROLLER BATTERY TYPE	Cable D50 - D60	golets standard / standard sheave	golets anti givre / anti icing sheave
5	BALANCIER ET CAVALIER / ROLLER BATTERY AND SADDLE	-8 4200	50007080-01	50007080-02	50007080-03
4	BALANCIER ET CAVALIER / ROLLER BATTERY AND SADDLE	-12 4200	50006480-01	50006480-02	50006480-03

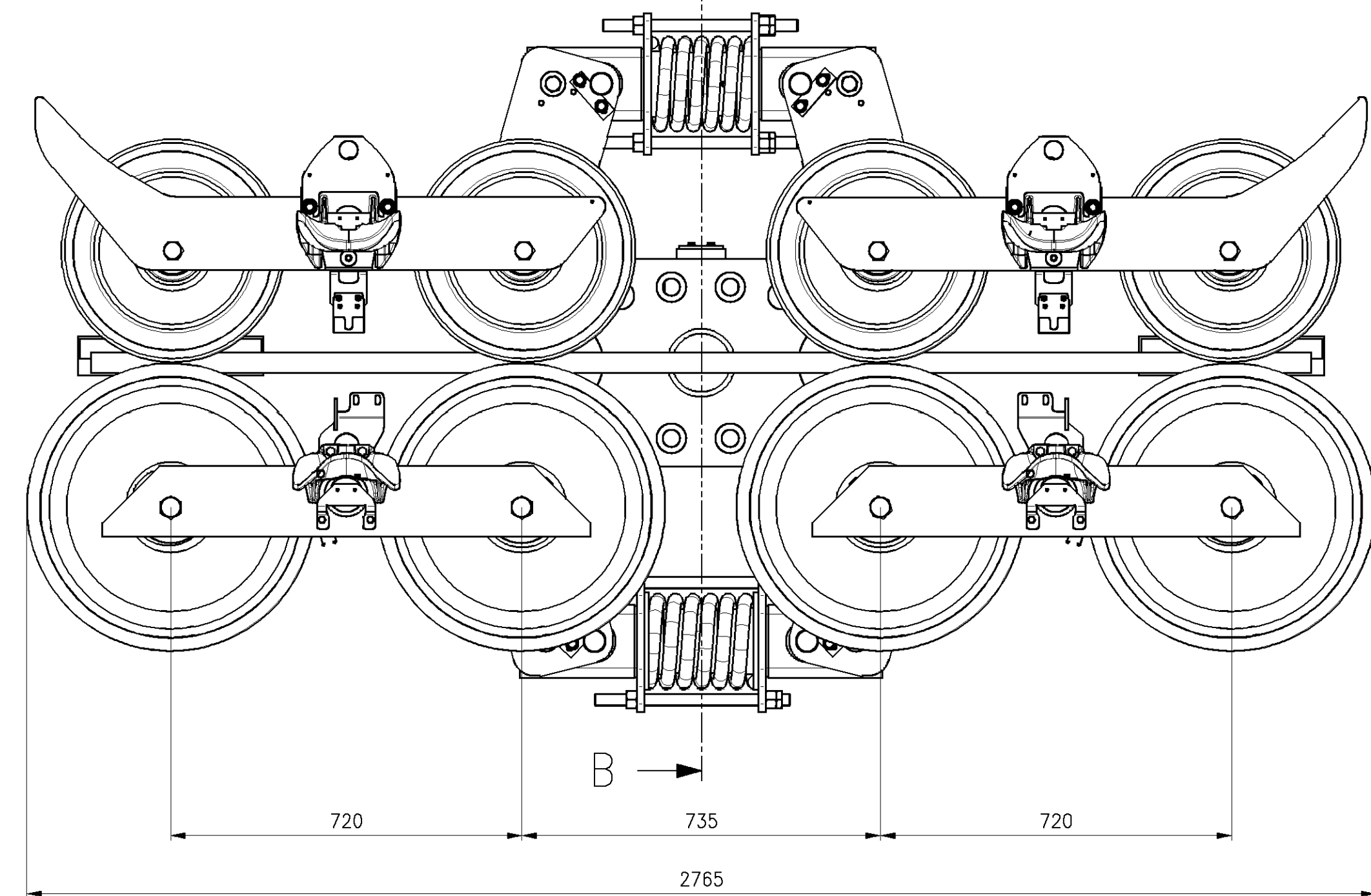
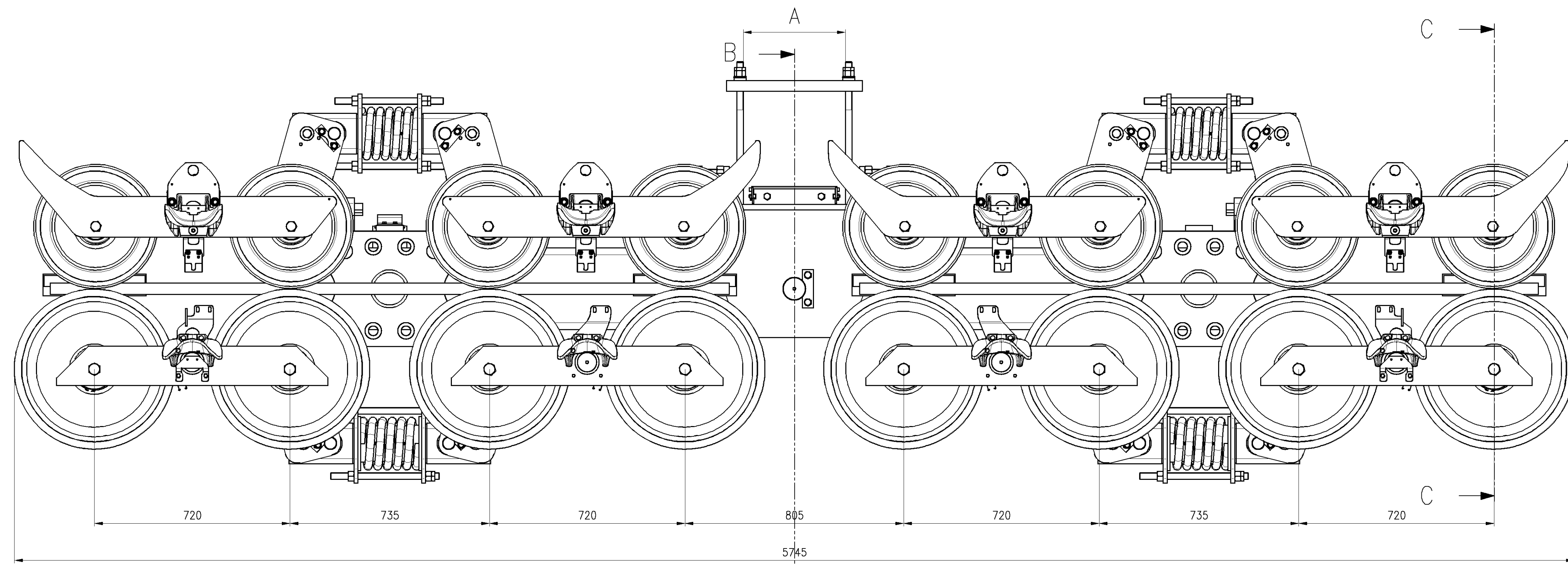
POS	DESCRIPTION	A-350				Cable D36 - D48				A-450				
		TYPE DE BALANCIER / ROLLER BATTERY TYPE	Cable D50 - D60	golets standard / standard sheave	golets anti givre / anti icing sheave	bandage souple / soft rubber liners	bandage souple anti givre / anti icing soft rubber liners	golets standard / standard sheave	golets anti givre / anti icing sheave	bandage souple / soft rubber liners	bandage souple anti givre / anti icing soft rubber liners	Cable D50 - D60	Cable D36 - D48	golets standard / standard sheave
3	BALANCIER ET CAVALIER / ROLLER BATTERY AND SADDLE	-8 4200	50001667-01 41225698-01	50001667-02 41225698-02	-	-	50001667-03 41225698-03	50001667-04 41225698-04	-	-	50001670-01 41228767-01	50001670-02 41228767-02	50001670-03 41228767-03	50001670-04 41228767-04
2	BALANCIER ET CAVALIER / ROLLER BATTERY AND SADDLE	-10 4200	50001668-01 41225495-01	50001668-02 41225495-02	41150817-01	41150817-02	50001668-03 41225495-03	50001668-04 41225495-04	41150817-03	41150817-04	50001671-01 41228802-01	50001671-02 41228802-02	50001671-03 41228802-03	50001671-04 41228802-04
1	BALANCIER ET CAVALIER / ROLLER BATTERY AND SADDLE	-12 4200	50001669-01 41228973-01	50001669-02 41228973-02	41143959-01	41143959-02	50001669-03 41228973-03	50001669-04 41228973-04	41143959-03	41143959-04	50001672-01 41228816-01	50001672-02 41228816-02	50001672-03 41228816-03	50001672-04 41228816-04

EMPLACEMENT DE L'AUTOCLIANT D'IDENTIFICATION
SELF-STICKING IDENTIFICATION LOCATION

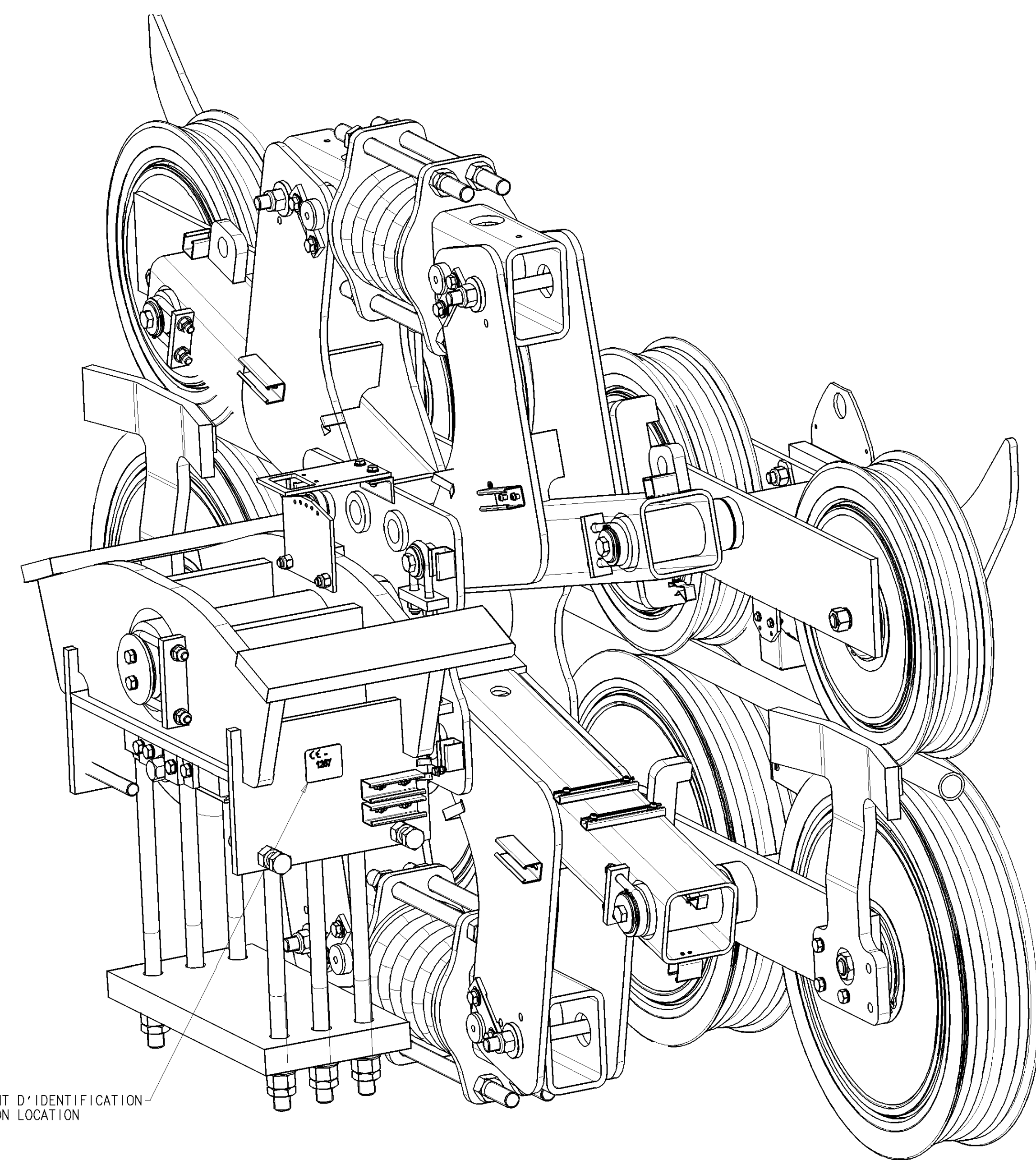
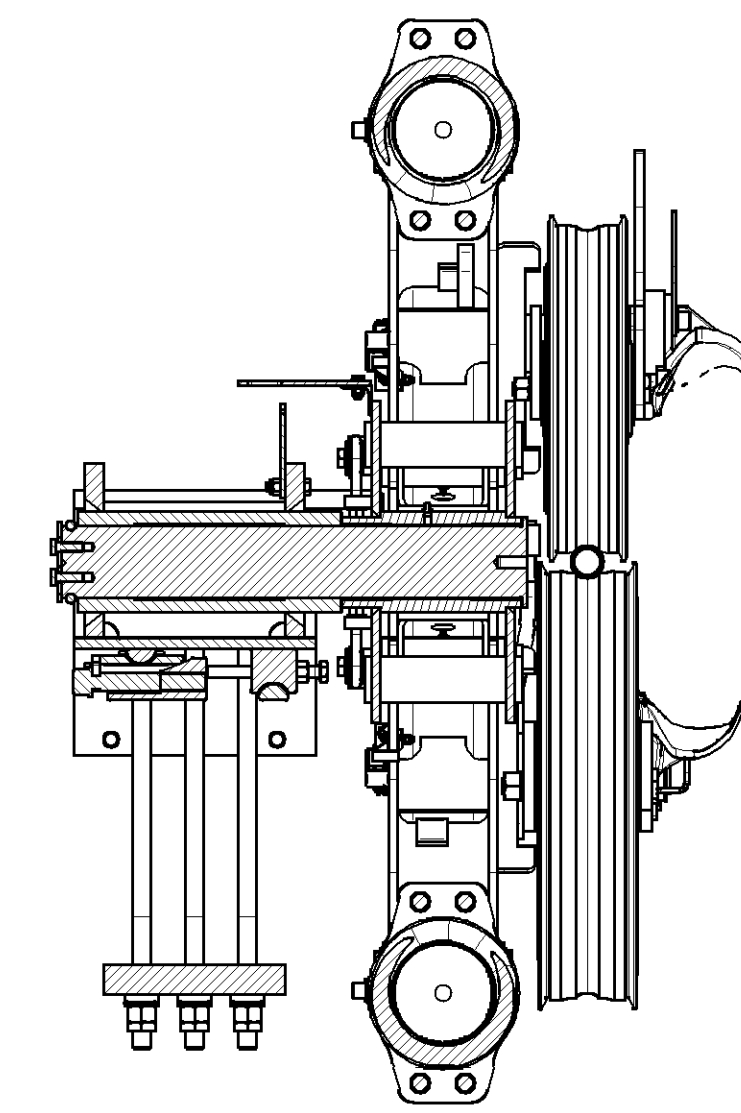
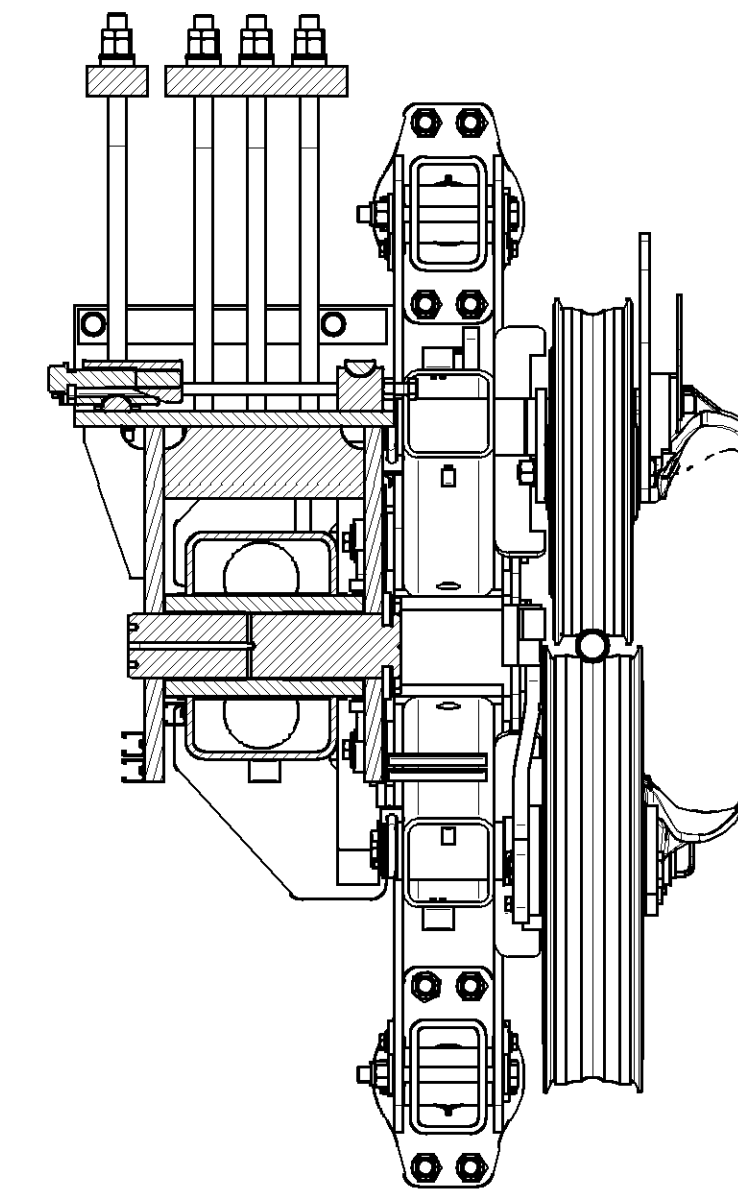
SPEC: 08 AGGIORNATA DISTINTA; AGGIORNATA DISTINTA 19-Sep-2016 ALLA Toyko (MST IN Year
 07 AGGIUNTA 41150817 E 41143959 28-Sep-2017 ALBERTEL (MST IN Year
 06 AGGIUNTA M/SARMA A 20-Jan-2014 (MST IN Year
 05 AGGIUNTA POS. 5 03-Jan-2012 (MST IN Year
 04 AGGIUNTA VISTA 24-Jul-2011 (MST IN Year
 03 AGGIUNTA POS. 4 19-Jul-2011 (MST IN Year
 02 Modificare options management: according to cable diameter 17-Jan-2011 (MST IN Year
 01 Add options 03 and 04 (Fixed grips) 07-Sep-2008 (MST IN Year
 REV. MODIF. IDE.

COMPRESSOR ROLLER BATTERY-EU 2016/424
 RULLIERA DI RITENUTA-EU 2016/424

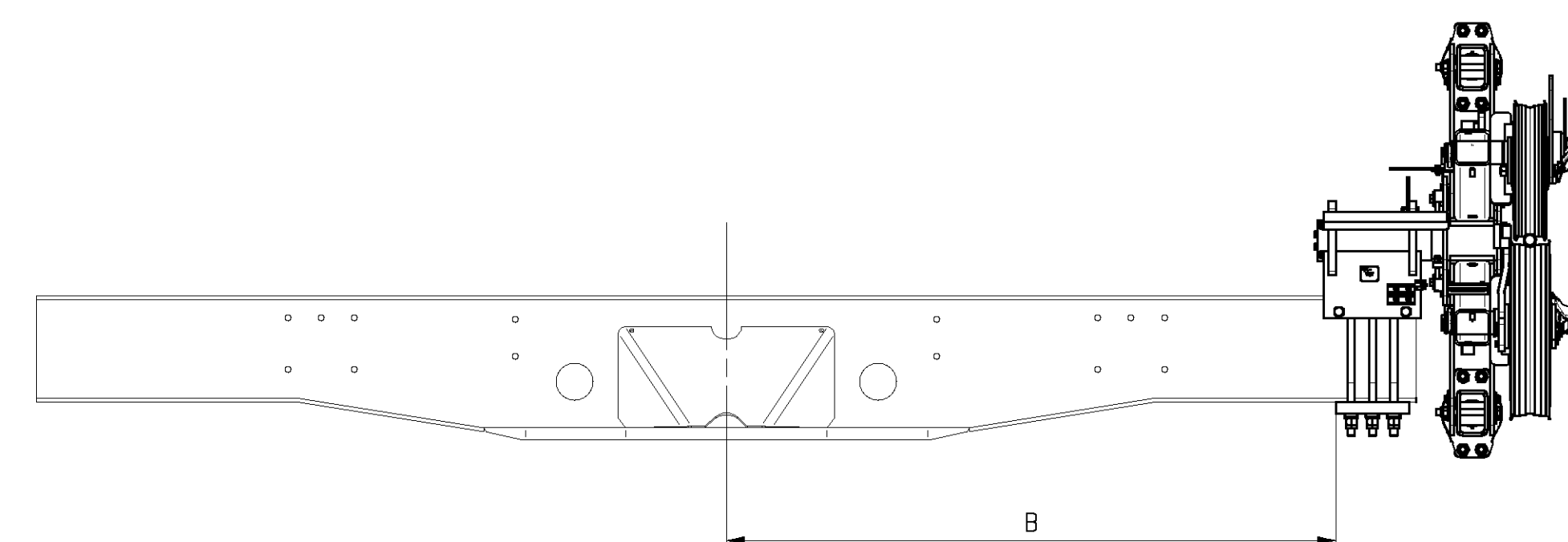
CE
 19-May-2008
 TRILIER Thierry
 1:20
 0 Kg
 96000097



SECTION B-B



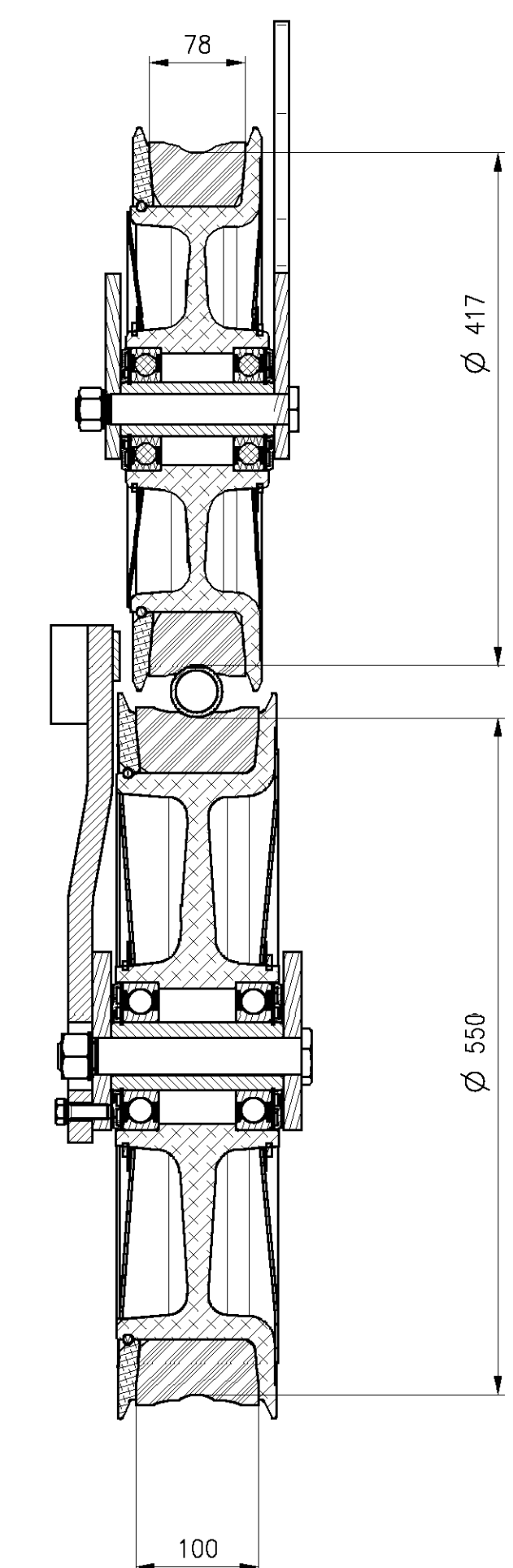
EMPLACEMENT DE L'AUTOCOLLANT D'IDENTIFICATION
SELF STICKING IDENTIFICATION LOCATION



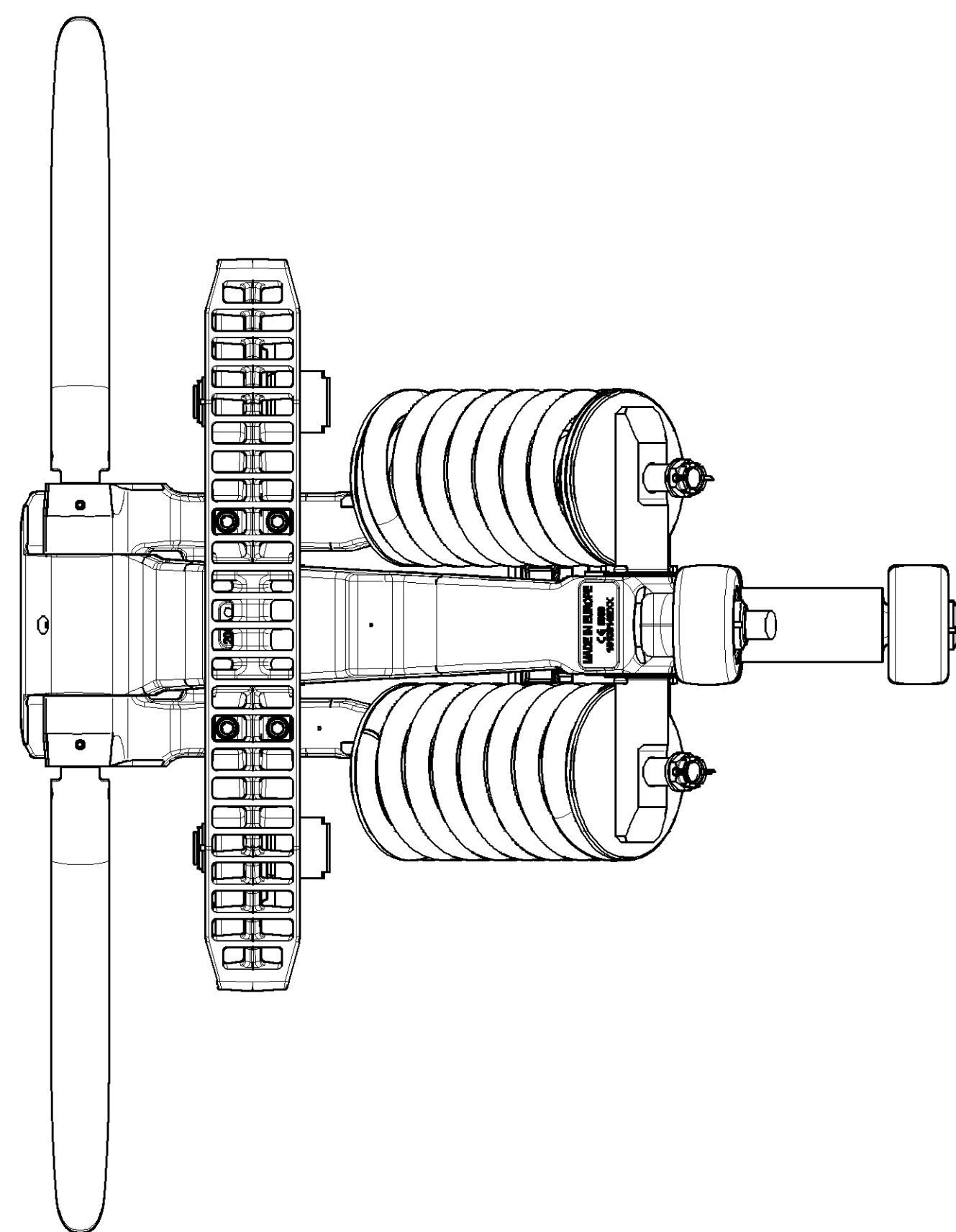
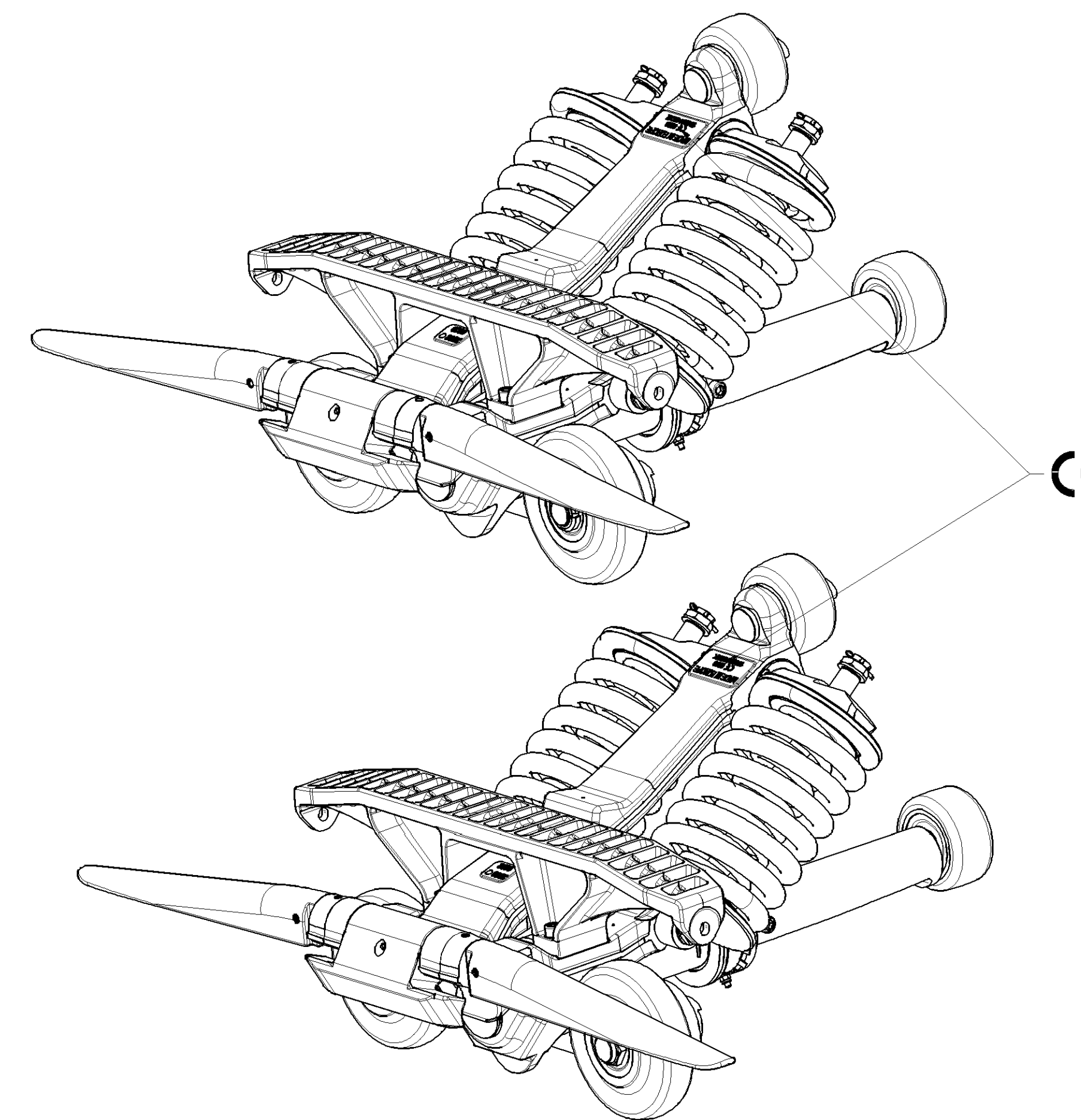
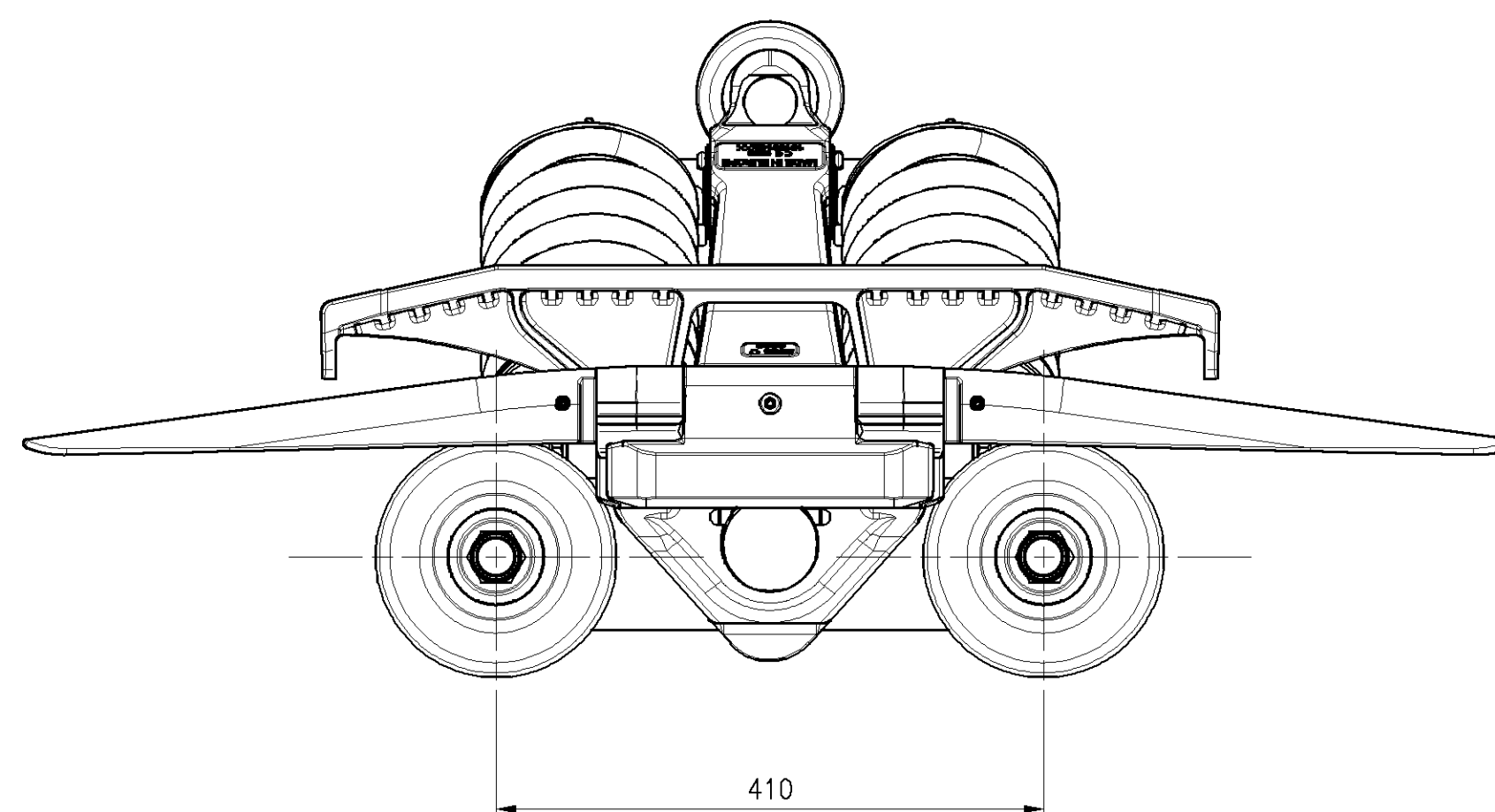
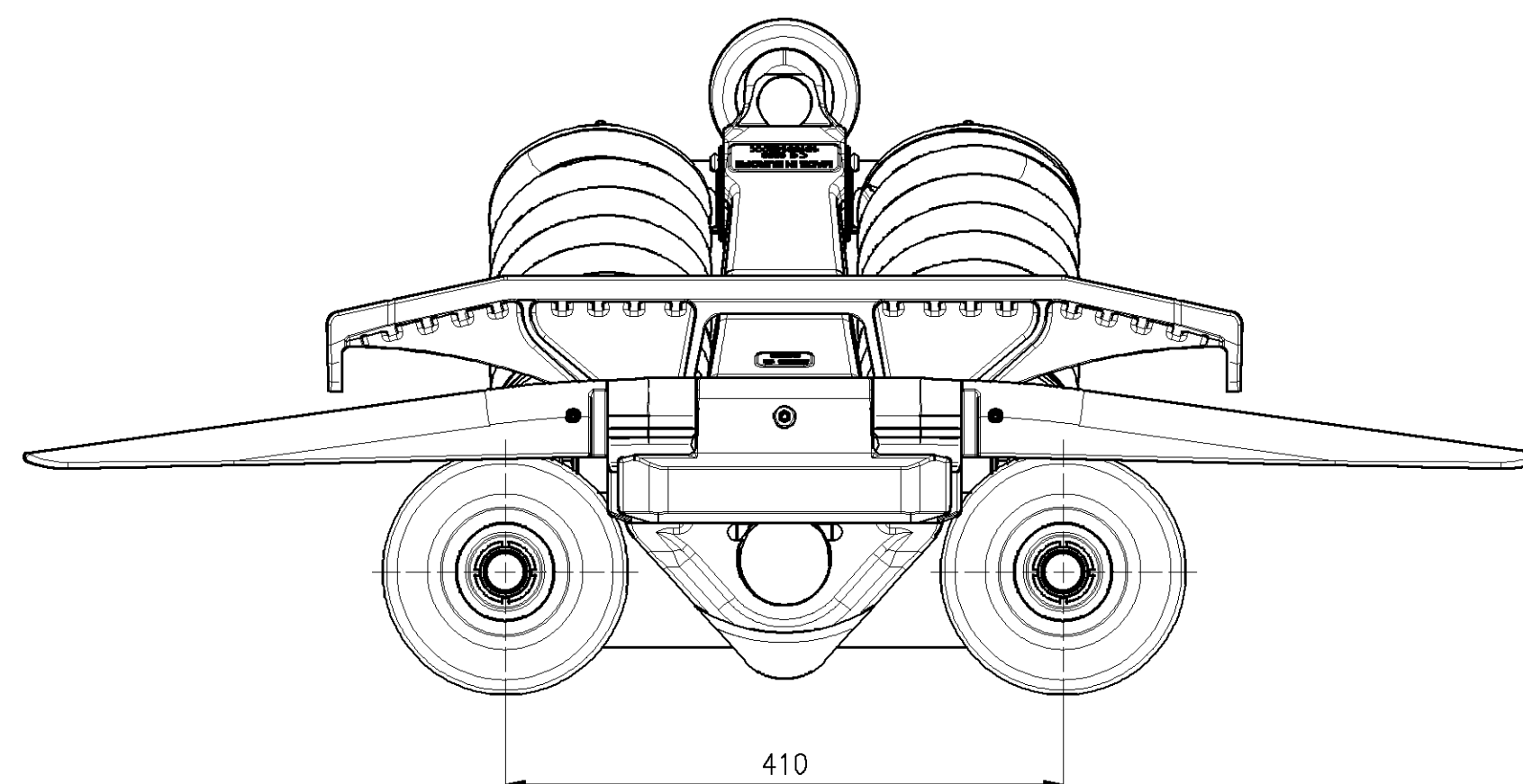
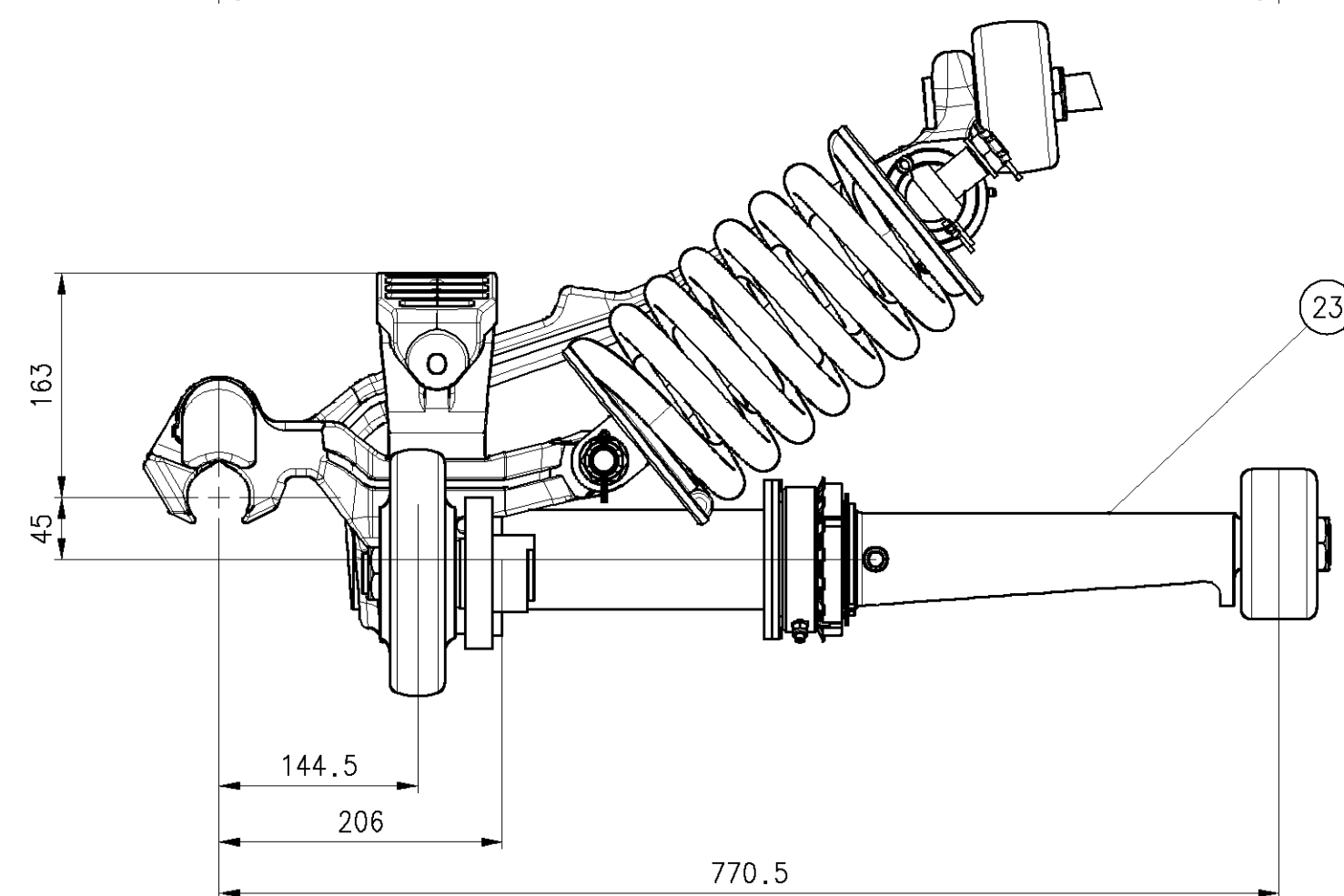
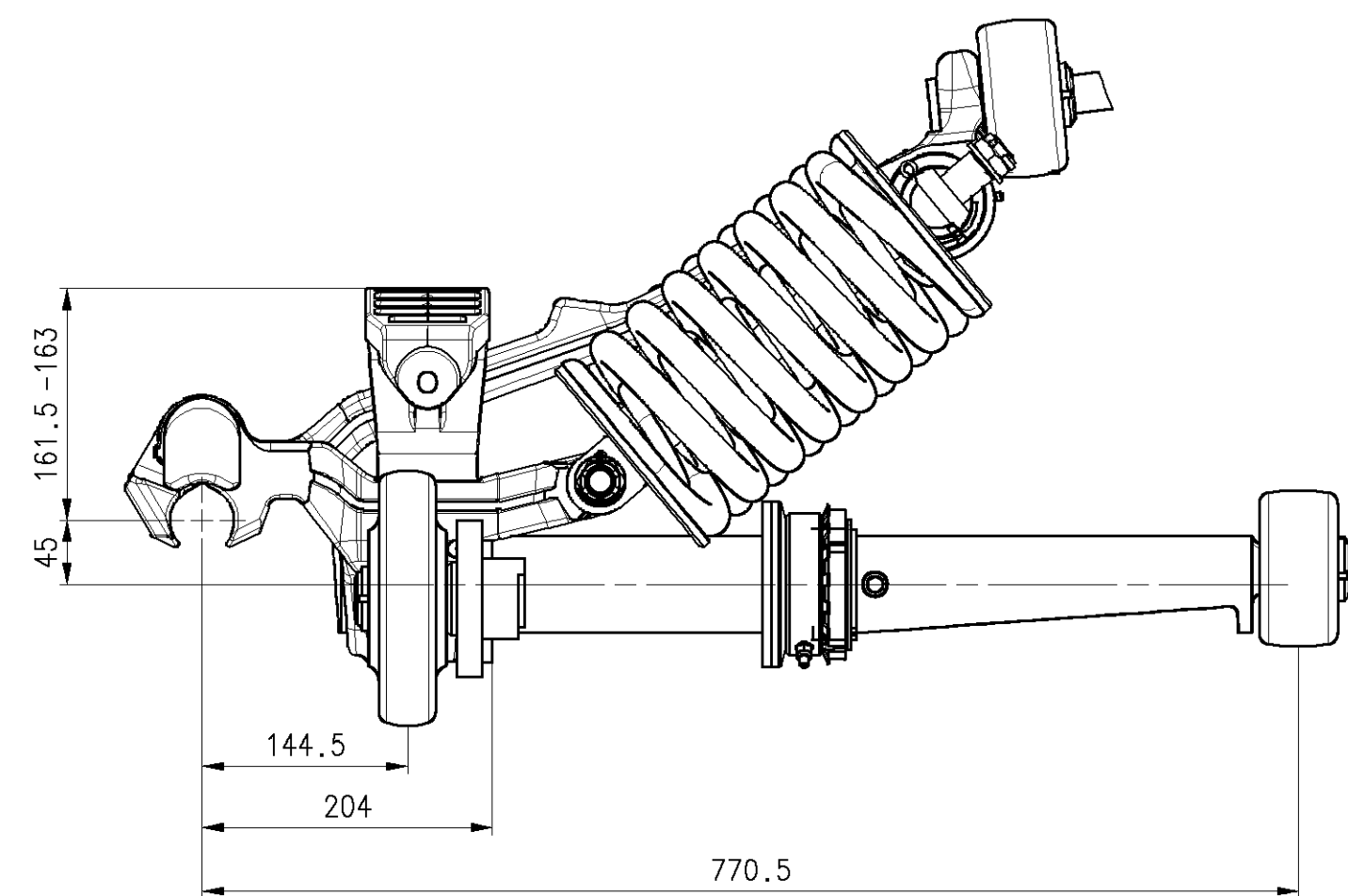
B	+4/-4 420D	+8/-8 420D
COTE A V4900	(4900/2)-640=1810	(4900/2)-669,5=1780,5
COTE A V5300	(5300/2)-640=2010	(5300/2)-669,5=1980,5
COTE A V6100	(6100/2)-640=2410	(6100/2)-669,5=2380,5
COTE A V6600	(6600/2)-640=2660	(6600/2)-669,5=2630,5
COTE A V7300	(7300/2)-640=3010	(7300/2)-668,5=3105

POS.	DESCRIPTION	TYPE DE BALANCIER / ROLLER BATTERY TYPE	A = 350		A = 450	
			galets standard / standard sheave	galets anti givre / anti icing sheave	galets standard / standard sheave	galets anti givre / anti icing sheave
1	BALANCIER ET CAVALIER / ROLLER BATTERY AND SADDLE	+4-4	50007621-01	50007621-02	50008663-01	50008663-02
			41017068-01	41017068-02	41017084-01	41017084-02
			41225733-01	41225733-02	41229656-01	41229656-01
2	BALANCIER ET CAVALIER / ROLLER BATTERY AND SADDLE	+8-8	50007622-01	50007622-02	50008664-01	50008664-02
			41016096-01	41016096-02	41018330-01	41018330-02
			41225702-01	41225702-02	41229657-01	41229657-02
			41140460-01	41140460-02		

SECTION C-C
SCALE 1:5



03	AGGIORNATA DISTINTA	21-Sep-2015	ALBERTEL	Bu/MST IN	Yoon
02	AGGIORNATA DISTINTA	14-Sep-2015	ALLA	Troya	BAST IN
01	AGGIORNATA DISTINTA	08-Jul-2015	BERGHO	Peo	LEFORT
REV	MODIFICAZIONE				
SUPPORT COMPRES. ROLLERBATTERY-EU 2016/424 RULLIERA SUPPORTO COMPRESSION-EU 2016/424					
4xV8 5500					
AD	26-May-2014	KATOLLY	Mehtiev	1:10	21566 Kg
		LEFORT Mehtiev		96000585	



POS.	DESCRIZIONE	DIMENSIONE	MATERIALE	NORMA	QUANTITA'	LUNGHEZZA TAGLIO	PIESU (kg)	ART. I.C.O.L.O.	USCITA'
24	MORSA COMPLETO	400-600	LPA-XL-72	1	130.3	41208027	15-		
23	MORSA COMPLETO	400-600	LPA-XL-72	1	130.3	41049562	15-		
22	MORSA COMPLETO	400-600	LPA-XL	1	130.8	50007278	15-		
21	MORSA COMPLETO	400-600	LPA-L	1	124.5	50107174	15-		
20	MORSA COMPLETA	300-520	LPA-N SF6	1	80.89	50105767	15-		
19	MORSA COMPLETA	300-520	LPA-N	1	80.89	50103973	15-		
18	MORSA COMPLETO	400-600	LPA-M	1	99.89	50100693	15-		
17	MORSA COMPLETO	400-600	LPA-XL	1	128.5	50104230	1A		
16	MORSA COMPLETO	400-600	LPA-L	1	124.4	50104228	1A		
15	MORSA COMPLETO	400-600	LPA-M	1	120.4	50104228	1A		
14	MORSA COMPLETO	300-520	LPA-N	1	93.27	50104227	1A		
13	MORSA COMPLETO	400-600	LPA-XL	1	128.4	50104163	1A		
12	MORSA COMPLETO	400-600	LPA-L	1	124.3	50104162	1A		
11	MORSA COMPLETO	400-600	LPA-M	1	120.3	50104090	1A		
10	MORSA COMPLETO	300-520	LPA-N	1	93.19	50104161	1A		
9	MORSA COMPLETO	400-600	LPA-XL	1	128.3	50103406	1A		
8	MORSA COMPLETO	400-600	LPA-L	1	124.1	50103405	1A		
7	MORSA COMPLETO	400-600	LPA-M	1	120.2	50103404	1A		
6	MORSA COMPLETO	300-520	LPA-N	1	94.49	50103403	1A		
5	MORSA COMPLETO	400-600	LPA-L SPEC	1	111.8	50102362	1A		
4	MORSA COMPLETO	400-600	LPA-XL	1	128.4	50102342	15-		
3	MORSA COMPLETO	400-600	LPA-L	1	124.1	50102341	1A		
2	MORSA COMPLETO	400-600	LPA-M	1	120.2	50102340	1A		
1	MORSA COMPLETO	300-520	LPA-N	1	93.09	50102339	1A		

REV.	MODIFICHE	DATA MODIFICA.	MODIFICATO DA.	CONTROLLATO DA.
11	AGGIUNTA POS. 24	13-Apr-2018	Mair Andrea	Steger Guen
10	AGGIUNTA POS. 23	04-Apr-2017	Bocher Chri	Steger Guen
09	AGGIUNTA POS. 22	25-Jul-2012	Mair Andrea	Steger Guen
08	CANCELLATO POS. 22 (50007016)	01-Jun-2012	Mair Andrea	Steger Guen
07	AGGIUNTO POS. 21 E22	19-Apr-2012	Mair Andrea	Steger Guen
06	AGGIUNTA MISURA 45 E 204	24-Aug-2011	Bocher Chri	Steger Guen
05	AGGIUNTO POS. 18 E 19	29-Jul-2011	Mair Andrea	Steger Guen
04	Tolto pos. 19	28-Nov-2010	Mair Andrea	Steger Guen
03	Aggiunto pos. 18 e 19	12-Apr-2010	Mair Andrea	Leitner Die
02	Aggiunto pos. 10-17	08-Feb-2010	Mair Andrea	Leitner Die
01	Aggiunto pos. 6-9	26-Mar-2009	Mair Andrea	Leitner Die

CABLE WAY		IMPIANTO A FUNE		DESCRIZIONE		GRIP LPA		SPECIFICAZIONE		SS4		SAFETY COMPONENT	
GRIP LPA		A1		03.Apr.2009		Mair Andreas		1:5		0 Kg		96100056	
LEITNER ropeways		ITEM NUMBER		ITEM NUMBER		ITEM NUMBER		ITEM NUMBER		ITEM NUMBER		ITEM NUMBER	

IMA-T-96100056 DRW/96100056/IT/1-10004674-2019-02-20